

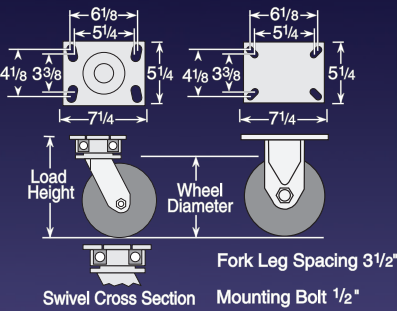
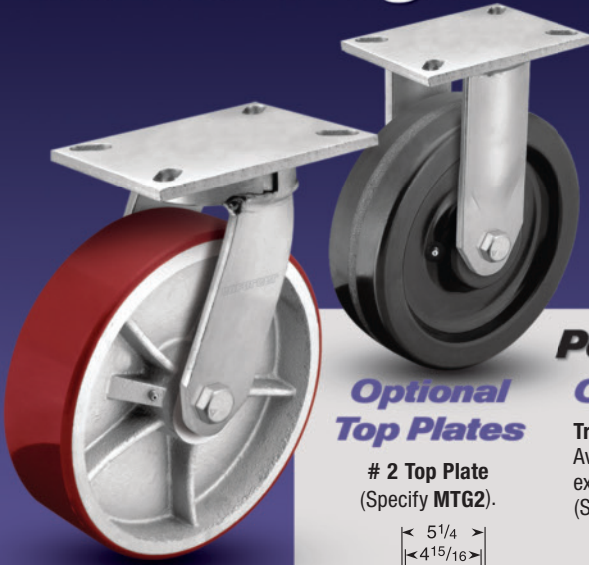
7 colson SERIES ENFORCER®

Capacity up to 6000 lbs each

Standard Features

- Attractive zinc plated finish
- Single ball hardened swivel raceway construction
- 3/4" solid axle with nut
- 5/16" steel top plate
- Formed fork legs feature robotic welding inside and out for consistent quality
- Fork legs 5/16" thick x 2 1/2" wide
- Recessed zerck grease fitting on swivel raceway to prevent damage, grease fitting on wheel bearing for easy maintenance
- Multi-temp grease lubricates in extreme hot and cold temperatures

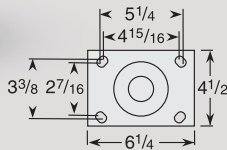
Kingpinless Top Plate Swivel & Rigid



Performance Options

Optional Top Plates

2 Top Plate
(Specify MTG2).



Caster Brake

Tread Lock (See page 15)
Available on all swivel casters except V-Groove models (Specify BRK1).

Fork/Wheel Options

Hand Activated Swivel Lock (See page 15).

Nut Option: NT1 Thick lock nut

Optional Load Heights:

Wheel Dia.	Load Ht.	Swi. Rad.	Specify
6"	8"	47/8	LH8.0
8"	10 1/2"	6 5/8	LH10.5
10"	12 1/2"	8 1/8	LH12.5
12"	15 1/2"	10 1/8	LH15.5

Wheel Selection



PERFORMA
FLAT/BLACK



MOLDON RUBBER
CAST IRON



PHENOLIC



POLYURETHANE
HI-TECH



POLYURETHANE
CAST IRON



CAST IRON



FORGED STEEL



V-GROOVE

7 SERIES · Enforcer® Kingpinless Top Plate Swivel & Rigid · Capacity up to 6000 lbs

Wheel Dia.	Tread Width	Capacity Each (Pounds)	Wheel Descriptions	Swivel Top Plate Roller Bearing Caster Models	Rigid Top Plate Roller Bearing Caster Models	Optional Bearings (Order information below chart)	Load Height	Swivel Radius	Weight lbs (Rigid Deduct 5 lbs)
6"	2 1/2"	540	Moldon Rubber (Cast Iron Core)	7.06689.669.7	7.06688.669.7	Delrin, Roller	7 1/2	4 3/4	16
		1600	Phenolic	7.06689.369	7.06688.369	Delrin, Roller	7 1/2	4 3/4	13 1/2
		1620	Moldon Polyurethane (Cast Iron Core)	7.06689.969.7	7.06688.969.7	Delrin, Roller	7 1/2	4 3/4	18 1/4
		2500	Cast Iron	7.06689.169	7.06688.169	Delrin, Roller	7 1/2	4 3/4	20
			V-Groove	7.06689.769	7.06688.769	Delrin, Roller	7 1/2	4 3/4	24
	3"	4000	Forged Steel	7.06689.269	7.06688.269	Delrin, Roller	7 1/2	4 3/4	24
		680	Moldon Rubber (Cast Iron Core)	7.06689.679.7	7.06688.679.7	Delrin, Roller	7 1/2	4 3/4	17
		2000	Phenolic	7.06689.379	7.06688.379	Delrin, Roller	7 1/2	4 3/4	14 1/4
		2040	Moldon Polyurethane (Cast Iron Core)	7.06689.979.7	7.06688.979.7	Delrin, Roller	7 1/2	4 3/4	19 1/4
	6000	V-Groove	7.06689.789	7.06688.789	Delrin, Roller	7 1/2	4 3/4	21 1/4	
8"	2 1/2"	670	Moldon Rubber (Cast Iron Core)	7.08689.669.7	7.08688.669.7	Delrin, Roller	10 1/8	6 9/16	19
		2000	Moldon Polyurethane (Cast Iron Core)	7.08689.969.7	7.08688.969.7	Delrin, Roller	10 1/8	6 9/16	23
			Phenolic	7.08689.369	7.08688.369	Delrin, Roller	10 1/8	6 9/16	15 1/2
		2500	Cast Iron	7.08689.169	7.08688.169	Delrin, Roller	10 1/8	6 9/16	23 1/4
	3"	840	Moldon Rubber (Cast Iron Core)	7.08689.679.7	7.08688.679.7	Delrin, Roller	10 1/8	6 9/16	24 3/4
		2500	Phenolic	7.08689.379	7.08688.379	Delrin, Roller	10 1/8	6 9/16	16 1/2
			Moldon Polyurethane (Cast Iron Core)	7.08689.979.7	7.08688.979.7	Delrin, Roller	10 1/8	6 9/16	27 3/4
			Cast Iron	7.08689.179	7.08688.179	Delrin, Roller	10 1/8	6 9/16	27 3/4
			V-Groove	7.08689.779	7.08688.779	Delrin, Roller	10 1/8	6 9/16	31 1/4
		4500	Forged Steel	7.08689.279	7.08688.279	Delrin, Roller	10 1/8	6 9/16	31 1/4
10"	2 1/2"	790	Moldon Rubber (Cast Iron Core)	7.10689.669.7	7.10688.669.7	Delrin, Roller	11 1/2	7 5/8	24 1/2
		1000	Performa Rubber (Flat Black)	7.10689.459.2	7.10688.459.2	Delrin, Roller	11 1/2	7 5/8	18 1/4
		1200	Polyurethane HI-TECH	7.10689.959	7.10688.959	Delrin, Roller	11 1/2	7 5/8	18 1/4
		1800	Cast Iron	7.10689.169	7.10688.169	Delrin, Roller	11 1/2	7 5/8	29
		2300	Moldon Polyurethane (Cast Iron Core)	7.10689.969.7	7.10688.969.7	Delrin, Roller	11 1/2	7 5/8	31 1/4
		2500	Phenolic	7.10689.369	7.10688.369	Delrin, Roller	11 1/2	7 5/8	19 1/2
	3"	1000	Moldon Rubber (Cast Iron Core)	7.10689.679.7	7.10688.679.7	Delrin, Roller	11 1/2	7 5/8	25 1/4
		2900	Phenolic	7.10689.379	7.10688.379	Delrin, Roller	11 1/2	7 5/8	19 1/2
		3000	Moldon Polyurethane (Cast Iron Core)	7.10689.979.7	7.10688.979.7	Delrin, Roller	11 1/2	7 5/8	31 1/2
			Cast Iron	7.10689.179	7.10688.179	Delrin, Roller	11 1/2	7 5/8	31 1/2
4500	Forged Steel	7.10689.279	7.10688.279	Delrin, Roller	11 1/2	7 5/8	37 1/2		
12"	2 1/2"	2700	Moldon Polyurethane (Cast Iron Core)	7.12689.969.7	7.12688.969.7	Delrin, Roller	13 1/2	9 1/8	26 1/2
		1140	Moldon Rubber (Cast Iron Core)	7.12689.679.7	7.12688.679.7	Delrin, Roller	13 1/2	9 1/8	28 3/4
	3"	1700	Performa Rubber (Flat Black)	7.12689.459.2	7.12688.459.2	Delrin, Roller	13 1/2	9 1/8	22 1/4
			Polyurethane HI-TECH	7.12689.989	7.12688.989	Delrin, Roller	13 1/2	9 1/8	22 1/4
		3000	Cast Iron	7.12689.179	7.12688.179	Delrin, Roller	13 1/2	9 1/8	35 3/4
		3500	Phenolic	7.12689.379	7.12688.379	Delrin, Roller	13 1/2	9 1/8	24 3/4
Moldon Polyurethane (Cast Iron Core)	7.12689.979.7		7.12688.979.7	Delrin, Roller	13 1/2	9 1/8	40		

Roller Bearing Options: Metal cage roller bearing (Specify **WB29**).

Roller Bearing Washer Options: Metal thrust & retainer washers (Specify **WSR1**). Sintered iron step washers (Specify **WSR2**). Sealed metal retainer washer (Specify **WSR3**).

Delrin Bearing Options: For standard two-piece bearing change ninth digit to "1" (Example: 7.12679.981).

7 SERIES