

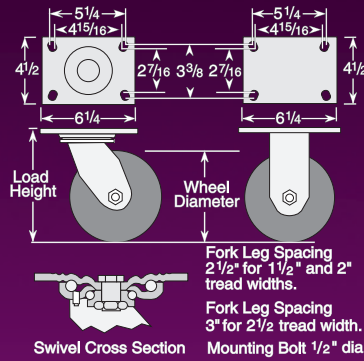
# Colson 6 SERIES

Capacity up to 1500 lbs each

## Standard Features

- Attractive zinc plated finish
- Full double ball hardened raceways
- 1/2" hollow axle with grease zerker and lock nut
- Plastic seal/retainer washer (roller bearing models)
- 5/16" steel top plate for durability (1/4" rigid top plate)
- Heat treated bolt and nut king pin with 3/4" diameter bolt
- Grease fittings: wheel bearing and swivel raceway
- "Colson 45" multi-temp grease lubricates in extreme hot and cold temperatures

## Top Plate Swivel & Rigid



## Performance Options

### Caster Brake

**Tread Lock** (See page 14)  
Available on all swivel casters with 2" tread widths except V-Groove models (Specify **BRK1**).

### Fork/Wheel Options

**Hand Activated Swivel Lock:** Swivel lock notch not standard, specify **MTG72** fork (See page 15).

**Thread Guards** (See page 16) – Available on many models (Specify **TG1** for metal **TG2** for plastic).

**Axle/Nut Options:** **AX2** Solid Axle (2" Tread Width)  
**NT1** Thick lock nut  
**NT2** Thin lock nut

**Lube Options:**

No Grease	<b>GRF1</b>	<b>GRW1</b>
Double Grease	<b>GRF2</b>	<b>GRW2</b>
300° Continuous	<b>GRF3</b>	<b>GRW3</b>
500° Continuous	<b>Consult Factory</b>	

## Wheel Selection



## 6 SERIES • Top Plate Swivel & Rigid • Capacity up to 1500 lbs

Wheel Dia.	Tread Width	Capacity Each (Pounds)	Wheel Descriptions	Swivel Top Plate Roller Bearing Caster Models	Rigid Top Plate Roller Bearing Caster Models	Optional Bearings (Order information below chart)	Load Height	Swivel Radius	Weight lbs (Rigid Deduct 1.5 lbs)
4"	1 1/2"	600	Moldon Polyurethane (Aluminum core)	6.04209.919	6.04208.919	Delrin	5 5/8	3 5/8	7
		1400	Forged Steel	6.04209.219	6.04208.219	Delrin	5 5/8	3 5/8	8 3/4
	2"	300	Performa Rubber (Conductive Flat)	6.04209.459 COND	6.04208.459 COND	Ball	5 5/8	3 5/8	7 1/4
			Performa Rubber (Flat/Black)	6.04209.459.2	6.04208.459.2	Delrin, Ball, Prec. Ball	5 5/8	3 5/8	7 1/4
		400	Performa Rubber (Flat/Grey)	6.04209.459	6.04208.459	Delrin, Ball, Prec. Ball	5 5/8	3 5/8	7 1/4
			Trans-forma™ (Flat/Grey)	6.04209.4E9	6.04208.4E9	Delrin, Ball	5 5/8	3 5/8	7 1/4
			Moldon Rubber (Cast iron core)	6.04209.649.7	6.04208.649.7	Delrin	5 5/8	3 5/8	9 1/4
		500	Polyolefin	6.04209.839	6.04208.839	Delrin, Plain	5 5/8	3 5/8	7 1/4
		600	Polyurethane HI-TECH	6.04209.929	6.04208.929	Delrin	5 5/8	3 5/8	7 1/2
		700	Moldon Polyurethane (Aluminum core)	6.04209.939	6.04208.939	Delrin	5 5/8	3 5/8	7 1/2
			Moldon Polyurethane (Cast iron core)	6.04209.949.7	6.04208.949.7	Delrin	5 5/8	3 5/8	9 1/4
		800	Maxim	6.04209.539	6.04208.539	Delrin, Bronze	5 5/8	3 5/8	6 3/8
			Phenolic	6.04209.339	6.04208.339	Delrin	5 5/8	3 5/8	7 1/4
			Thermo	6.04209.839 HT	6.04208.839 HT	Plain	5 5/8	3 5/8	8 1/4
			V-Groove	6.04209.739	6.04208.739	Delrin	5 5/8	3 5/8	11
		1000	Endura Solid Elastomer	6.04209.839 EN	6.04208.839 EN	Delrin, Prec. Ball	5 5/8	3 5/8	7 1/4
Cast Iron	6.04209.139		6.04208.139	Delrin	5 5/8	3 5/8	9		
5"	2"	325	Performa Rubber (Conductive Flat)	6.05209.459 COND	6.05208.459 COND	Ball	6 1/2	4 5/16	9
		400	Moldon Rubber (Cast iron core)	6.05209.649.7	6.05208.649.7	Delrin	6 1/2	4 5/16	11 1/4
		500	Performa Rubber (Flat/Black)	6.05209.459.2	6.05208.459.2	Delrin, Ball, Prec. Ball	6 1/2	4 5/16	9
			Performa Rubber (Flat/Grey)	6.05209.459	6.05208.459	Delrin, Ball, Prec. Ball	6 1/2	4 5/16	9
		650	Trans-forma™ (Flat/Grey)	6.05209.4E9	6.05208.4E9	Delrin, Ball	6 1/2	4 5/16	9
			Polyolefin	6.05209.839	6.05208.839	Delrin, Plain	6 1/2	4 5/16	9
		750	Polyurethane HI-TECH	6.05209.929	6.05208.929	Delrin	6 1/2	4 5/16	8 1/2
		1000	Maxim	6.05209.539	6.05208.539	Delrin, Bronze	6 1/2	4 5/16	6 3/4
			Endura Solid Elastomer	6.05209.839 EN	6.05208.839 EN	Delrin, Prec. Ball	6 1/2	4 5/16	8
			Moldon Polyurethane (Aluminum core)	6.05209.939	6.05208.939	Delrin	6 1/2	4 5/16	8 3/4
			Moldon Polyurethane (Cast iron core)	6.05209.949.7	6.05208.949.7	Delrin	6 1/2	4 5/16	11 1/4
			Moldon Nylon	6.05209.939.3	6.05208.939.3	Delrin	6 1/2	4 5/16	8
			Phenolic	6.05209.339	6.05208.339	Delrin	6 1/2	4 5/16	8
			Thermo	6.05209.839 HT	6.05208.839 HT	Plain	6 1/2	4 5/16	9
	Cast Iron		6.05209.139	6.05208.139	Delrin	6 1/2	4 5/16	10 3/4	
	1500	Forged Steel	6.05209.239	6.05208.239	Delrin	6 1/2	4 5/16	11 1/4	
6"	2"	410	Performa Rubber (Conductive Flat)	6.06209.459 COND	6.06208.459 COND	Ball	7 1/2	4 3/4	7 3/4
			Performa Rubber (Conductive Round)	6.06209.559 COND	6.06208.559 COND	Ball	7 1/2	4 3/4	7 3/4
		450	Performa Rubber (Round/Grey)	6.06209.559	6.06208.559	Delrin, Ball, Prec. Ball	7 1/2	4 3/4	7 3/4
			Trans-forma™ (Round/Grey)	6.06209.5E9	6.06208.5E9	Delrin, Ball	7 1/2	4 3/4	7 3/4
		600	Moldon Rubber (Cast iron core)	6.06209.649.7	6.06208.649.7	Delrin	7 1/2	4 3/4	12 1/4
			Performa Rubber (Flat/Black)	6.06209.459.2	6.06208.459.2	Delrin, Ball, Prec. Ball	7 1/2	4 3/4	7 3/4
		700	Performa Rubber (Flat/Grey)	6.06209.459	6.06208.459	Delrin, Ball, Prec. Ball	7 1/2	4 3/4	7 3/4
			Trans-forma™ (Flat/Grey)	6.06209.4E9	6.06208.4E9	Delrin, Ball	7 1/2	4 3/4	7 3/4
		900	Polyolefin	6.06209.839	6.06208.839	Delrin, Plain	7 1/2	4 3/4	8 1/2
			Polyurethane HI-TECH	6.06209.929	6.06208.929	Delrin	7 1/2	4 3/4	7 3/4
		1200	Triumph (Round)*	6.06209.96TF	6.06208.96TF	Prec. Ball	7 1/2	4 3/4	9 1/4
			Endura Solid Elastomer	6.06209.839 EN	6.06208.839 EN	Delrin, Prec. Ball	7 1/2	4 3/4	9 1/4
			Maxim	6.06209.539	6.06208.539	Delrin, Bronze	7 1/2	4 3/4	7 3/8
			Moldon Polyurethane (Aluminum core)	6.06209.939	6.06208.939	Delrin	7 1/2	4 3/4	9 1/4
			Moldon Polyurethane (Cast iron core)	6.06209.949.7	6.06208.949.7	Delrin	7 1/2	4 3/4	12 1/2
			Moldon Nylon	6.06209.939.3	6.06208.939.3	Delrin	7 1/2	4 3/4	9 1/4
			Phenolic	6.06209.339	6.06208.339	Delrin	7 1/2	4 3/4	9 1/4
			V-Groove	6.06209.739	6.06208.739	Delrin	7 1/2	4 3/4	12
	1500	Cast Iron	6.06209.139	6.06208.139	Delrin	7 1/2	4 3/4	12 1/2	
		Forged Steel	6.06209.239	6.06208.239	Delrin	7 1/2	4 3/4	12 1/2	
2 1/2"	1500	Phenolic	6.06259.369	6.06258.369	-	7 1/2	4 3/4	10 1/4	
8"	2"	500	Performa Rubber (Conductive Flat)	6.08299.459 COND	6.08298.459 COND	Ball	9 1/2	6 1/4	8 1/2
			Performa Rubber (Conductive Round)	6.08299.559 COND	6.08298.559 COND	Ball	9 1/2	6 1/4	8 1/2
			Moldon Rubber (Cast iron core)	6.08299.649.7	6.08298.649.7	Delrin	9 1/2	6 1/4	16 1/4
		600	Performa Rubber (Round/Grey)	6.08299.559	6.08298.559	Delrin, Ball, Prec. Ball	9 1/2	6 1/4	8 1/2
			Performa Rubber (Flat/Black)	6.08299.459.2	6.08298.459.2	Delrin, Ball, Prec. Ball	9 1/2	6 1/4	8 1/2
		675	Performa Rubber (Flat/Grey)	6.08299.459	6.08298.459	Delrin, Ball, Prec. Ball	9 1/2	6 1/4	8 1/2
			Polyolefin	6.08299.839	6.08298.839	Delrin, Plain	9 1/2	6 1/4	10 1/4
		1000	Polyurethane HI-TECH	6.08299.929	6.08298.929	Delrin	9 1/2	6 1/4	9 1/2
			Endura Solid Elastomer	6.08299.839 EN	6.08298.839 EN	Delrin, Prec. Ball	9 1/2	6 1/4	11 1/2
		1400	Triumph (Round)*	6.08299.96TF	6.08298.96TF	Prec. Ball	9 1/2	6 1/4	11 1/2
			Phenolic	6.08299.339	6.08298.339	Delrin	9 1/2	6 1/4	11 1/2
			Maxim	6.08299.539	6.08298.539	Delrin, Bronze	9 1/2	6 1/4	8
			Moldon Polyurethane (Aluminum core)	6.08299.939	6.08298.939	Delrin	9 1/2	6 1/4	11 1/4
		1500	Moldon Polyurethane (Cast iron core)	6.08299.949.7	6.08298.949.7	Delrin	9 1/2	6 1/4	16 1/4
	Triumph (Crown)*		6.08299.93TF	6.08298.93TF	Prec. Ball	9 1/2	6 1/4	11 1/2	
	Moldon Nylon		6.08299.939.3	6.08298.939.3	Delrin	9 1/2	6 1/4	11 1/4	
	Cast Iron		6.08299.139	6.08298.139	Delrin	9 1/2	6 1/4	16 1/4	
	2 1/2"	1500	Phenolic	6.08259.369	6.08258.369	-	9 1/2	6 1/4	13 1/4
10"	2 1/2"	1500	Phenolic	6.10259.369	6.10258.369	-	11 1/2	7 25/32	14 3/4
			Cast Iron	6.10259.169	6.10258.169	-	11 1/2	7 25/32	22 1/2

6 SERIES

**Roller Bearing Options:** Torrington style roller bearing with retainer (Specify **WB19**). Metal cage roller bearing (Specify **WB29**).  
**Roller Bearing Washer Options:** Metal thrust & retainer washers (Specify **WSR1**). Sintered iron step washers (Specify **WSR2**). Sealed metal retainer washer (Specify **WSR3**).  
**Delrin Bearing Options:** For standard two-piece bearing change ninth digit to "1" (Example: 6.06209.921). One-piece with steel thrust washers (Specify **WB11**).  
**Ball Bearing Options:** To order change 8th & 9th digit in model number to "65" (Example: 6.06209.465). Note: Performance 6" to 8" capacity decreases (See wheel section).  
**Precision Ball Bearings:** To order change 8th and 9th digits to "35" (Example: 6.06209.435). Performa round tread, change wheel code to "555".  
**Bronze Bearing Options:** To order change 9th digit in Maxim model number to "4" (Example: 6.06209.534).  
**Plain Bearing Options:** To order change 9th digit to "2" (Example: 6.06209.832).

59



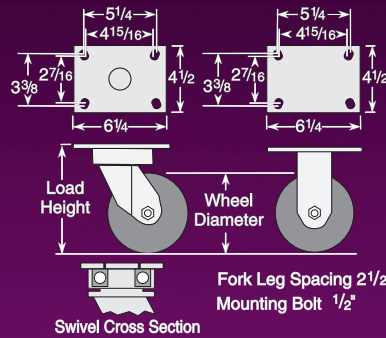
# Colson 6 SERIES ENFORCER<sup>®</sup>

Capacity up to 1500 lbs each

## Standard Features

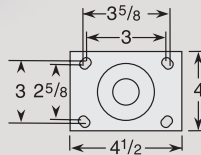
- Attractive zinc plated finish
- 1/4" fork leg thickness
- Full double ball hardened raceways
- 1/2" hollow axle with grease zerk and lock nut
- Plastic seal/retainer washer (roller bearing models)
- 5/16" steel top plate for durability (1/4" rigid top plate)
- Grease fittings: wheel bearing and swivel raceway
- "Colson 45" multi-temp grease lubricates in extreme hot and cold temperatures

## Kingpinless Top Plate Swivel & Rigid

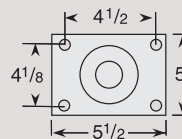


### Optional Top Plates

# 1 Top Plate  
(Specify **MTG1**).



# 4 Top Plate  
(Specify **MTG4**).



## Performance Options

### Caster Brake

**Tread Lock** (See page 14)  
Available on all swivel casters except V-Groove models (Specify **BRK1**).

### Fork/Wheel Options

**Hand Activated Swivel Lock** (See page 15)  
**Thread Guards** (See page 16) – Available on many models (Specify **TG1** for metal **TG2** for plastic).

**Optional Load height**—Optional 9 1/2" load height (6 1/4" swivel radius) available for 8" swivel & rigid casters (Specify **LH9.5**).

**Axle/Nut Options:**  
**AX2** Solid Axle  
**NT1** Thick lock nut  
**NT2** Thin lock nut

**Lube Options:**

No Grease	<b>GRF1</b>	<b>GRW1</b>
Double Grease	<b>GRF2</b>	<b>GRW2</b>
300° Continuous	<b>GRF3</b>	<b>GRW3</b>
500° Continuous	<b>Consult Factory</b>	

## Wheel Selection



**6 SERIES • Enforcer® Kingpinless Top Plate Swivel & Rigid • Capacity up to 1500 lbs**

Wheel Dia.	Tread Width	Capacity Each (Pounds)	Wheel Descriptions	Swivel Top Plate Roller Bearing Caster Models	Rigid Top Plate Roller Bearing Caster Models	Optional Bearings (Order information below chart)	Load Height	Swivel Radius	Weight lbs (Rigid Deduct 2 lbs)
4"	2"	300	Performa Rubber (Conductive Flat)	6.04289.459 COND	6.04208.459 COND	Ball	5 5/8	3 15/32	7 1/4
			Performa Rubber (Flat/Black)	6.04289.459.2	6.04208.459.2	Delrin, Ball, Prec. Ball	5 5/8	3 15/32	7 1/4
		400	Performa Rubber (Flat/Grey)	6.04289.459	6.04208.459	Delrin, Ball, Prec. Ball	5 5/8	3 15/32	7 1/4
			Trans-forma™ (Flat/Grey)	6.04289.4E9	6.04208.4E9	Delrin, Ball	5 5/8	3 15/32	7 1/4
			Moldon Rubber (Cast iron core)	6.04289.649.7	6.04208.649.7	Delrin	5 5/8	3 15/32	8
		500	Polyolefin	6.04289.839	6.04208.839	Delrin, Plain	5 5/8	3 15/32	7 1/4
		600	Polyurethane HI-TECH	6.04289.929	6.04208.929	Delrin	5 5/8	3 15/32	7 1/2
		700	Moldon Polyurethane (Aluminum core)	6.04289.939	6.04208.939	Delrin	5 5/8	3 15/32	7 1/2
			Moldon Polyurethane (Cast iron core)	6.04289.949.7	6.04208.949.7	Delrin	5 5/8	3 15/32	9 1/4
		800	Maxim	6.04289.539	6.04208.539	Delrin, Bronze	5 5/8	3 15/32	5 7/8
			Phenolic	6.04289.339	6.04208.339	Delrin	5 5/8	3 15/32	7 1/4
			Thermo	6.04289.839 HT	6.04208.839 HT	Plain	5 5/8	3 15/32	8 1/4
			V-Groove	6.04289.739	6.04208.739	Delrin	5 5/8	3 15/32	11
		1000	Endura Solid Elastomer	6.04289.839 EN	6.04208.839 EN	Delrin, Prec. Ball	5 5/8	3 15/32	7 1/4
Cast Iron	6.04289.139		6.04208.139	Delrin	5 5/8	3 15/32	9		
5"	2"	325	Performa Rubber (Conductive Flat)	6.05289.459 COND	6.05208.459 COND	Ball	6 1/2	3 29/32	9
			Moldon Rubber (Cast iron core)	6.05289.649.7	6.05208.649.7	Delrin	6 1/2	3 29/32	8
		500	Performa Rubber (Flat/Black)	6.05289.459.2	6.05208.459.2	Delrin, Ball, Prec. Ball	6 1/2	3 29/32	9
			Performa Rubber (Flat/Grey)	6.05289.459	6.05208.459	Delrin, Ball, Prec. Ball	6 1/2	3 29/32	9
			Trans-forma™ (Flat/Grey)	6.05289.4E9	6.05208.4E9	Delrin, Ball	6 1/2	3 29/32	9
		650	Polyolefin	6.05289.839	6.05208.839	Delrin, Plain	6 1/2	3 29/32	9
		750	Polyurethane HI-TECH	6.05289.929	6.05208.929	Delrin	6 1/2	3 29/32	8 1/2
		1000	Maxim	6.05289.539	6.05208.539	Delrin, Bronze	6 1/2	3 29/32	6 1/4
			Endura Solid Elastomer	6.05289.839 EN	6.05208.839 EN	Delrin, Prec. Ball	6 1/2	3 29/32	8
			Moldon Polyurethane (Aluminum core)	6.05289.939	6.05208.939	Delrin	6 1/2	3 29/32	8 3/4
			Moldon Polyurethane (Cast iron core)	6.05289.949.7	6.05208.949.7	Delrin	6 1/2	3 29/32	11 1/4
			Moldon Nylon	6.05289.939.3	6.05208.939.3	Delrin	6 1/2	3 29/32	8
			Phenolic	6.05289.339	6.05208.339	Delrin	6 1/2	3 29/32	8
			Thermo	6.05289.839 HT	6.05208.839 HT	Plain	6 1/2	3 29/32	9
Cast Iron	6.05289.139		6.05208.139	Delrin	6 1/2	3 29/32	10 3/4		
1500	Forged Steel	6.05289.239	6.05208.239	Delrin	6 1/2	3 29/32	11 1/4		
6"	2"	410	Performa Rubber (Conductive Flat)	6.06289.459 COND	6.06208.459 COND	Ball	7 1/2	4 11/16	7 3/4
			Performa Rubber (Conductive Round)	6.06289.559 COND	6.06208.559 COND	Ball	7 1/2	4 11/16	7 3/4
		450	Performa Rubber (Round/Grey)	6.06289.559	6.06208.559	Delrin, Ball, Prec. Ball	7 1/2	4 11/16	7 3/4
			Trans-forma™ (Round/Grey)	6.06289.5E9	6.06208.5E9	Delrin, Ball	7 1/2	4 11/16	7 3/4
			Moldon Rubber (Cast iron core)	6.06289.649.7	6.06208.649.7	Delrin	7 1/2	4 11/16	14
		600	Performa Rubber (Flat/Black)	6.06289.459.2	6.06208.459.2	Delrin, Ball, Prec. Ball	7 1/2	4 11/16	7 3/4
			Performa Rubber (Flat/Grey)	6.06289.459	6.06208.459	Delrin, Ball, Prec. Ball	7 1/2	4 11/16	7 3/4
		700	Trans-forma™ (Flat/Grey)	6.06289.4E9	6.06208.4E9	Delrin, Ball	7 1/2	4 11/16	7 3/4
			Polyolefin	6.06289.839	6.06208.839	Delrin, Plain	7 1/2	4 11/16	10
		900	Polyurethane HI-TECH	6.06289.929	6.06208.929	Delrin	7 1/2	4 11/16	9
		1100	Triumph (Round)*	6.06289.96TF	6.06208.96TF	Prec. Ball	7 1/2	4 11/16	9 1/4
			Endura Solid Elastomer	6.06289.839 EN	6.06208.839 EN	Delrin, Prec. Ball	7 1/2	4 11/16	9 1/4
		1200	Maxim	6.06289.539	6.06208.539	Delrin, Bronze	7 1/2	4 11/16	6 5/8
			Moldon Polyurethane (Aluminum core)	6.06289.939	6.06208.939	Delrin	7 1/2	4 11/16	9 1/4
Moldon Polyurethane (Cast iron core)	6.06289.949.7		6.06208.949.7	Delrin	7 1/2	4 11/16	12 1/2		
Moldon Nylon	6.06289.939.3		6.06208.939.3	Delrin	7 1/2	4 11/16	9 1/4		
Phenolic	6.06289.339		6.06208.339	Delrin	7 1/2	4 11/16	9 1/4		
V-Groove	6.06289.739		6.06208.739	Delrin	7 1/2	4 11/16	12		
1500	Cast Iron	6.06289.139	6.06208.139	Delrin	7 1/2	4 11/16	12 1/2		
	Forged Steel	6.06289.239	6.06208.239	Delrin	7 1/2	4 11/16	12 1/2		
8"	2"	500	Performa Rubber (Conductive Flat)	6.08289.459 COND	6.08278.459 COND	Ball	10 1/8	6 1/2	8 1/2
			Performa Rubber (Conductive Round)	6.08289.559 COND	6.08278.559 COND	Ball	10 1/8	6 1/2	8 1/2
		600	Moldon Rubber (Cast iron core)	6.08289.649.7	6.08278.649.7	Delrin	10 1/8	6 1/2	16 1/4
			Performa Rubber (Round/Grey)	6.08289.559	6.08278.559	Delrin, Ball, Prec. Ball	10 1/8	6 1/2	8 1/2
			Performa Rubber (Flat/Black)	6.08289.459.2	6.08278.459.2	Delrin, Ball, Prec. Ball	10 1/8	6 1/2	8 1/2
		675	Performa Rubber (Flat/Grey)	6.08289.459	6.08278.459	Delrin, Ball, Prec. Ball	10 1/8	6 1/2	8 1/2
			Polyolefin	6.08289.839	6.08278.839	Delrin, Plain	10 1/8	6 1/2	10 1/4
		1000	Polyurethane HI-TECH	6.08289.929	6.08278.929	Delrin	10 1/8	6 1/2	9 1/2
		1200	Endura Solid Elastomer	6.08289.839 EN	6.08278.839 EN	Delrin, Prec. Ball	10 1/8	6 1/2	11 1/2
			Triumph Triumph (Round)*	6.08289.96TF	6.08278.896TF	Prec. Ball	10 1/8	6 1/2	11 1/2
		1400	Maxim	6.08289.539	6.08278.539	Delrin, Bronze	10 1/8	6 1/2	7 1/2
			Phenolic	6.08289.339	6.08278.339	Delrin	10 1/8	6 1/2	11 1/2
		1500	Moldon Polyurethane (Aluminum core)	6.08289.939	6.08278.939	Delrin	10 1/8	6 1/2	11 1/4
			Moldon Polyurethane (Cast iron core)	6.08289.949.7	6.08278.949.7	Delrin	10 1/8	6 1/2	16 1/4
Triumph (Crown)*	6.08289.93TF		6.08278.93TF	Prec. Ball	10 1/8	6 1/2	11 1/2		
Moldon Nylon	6.08289.939.3		6.08278.939.3	Delrin	10 1/8	6 1/2	11 1/4		
Cast Iron	6.08289.139		6.08278.139	Delrin	10 1/8	6 1/2	16 1/4		

**Roller Bearing Options:** Torrington style roller bearing with retainer (Specify **WB19**). Metal cage roller bearing (Specify **WB29**).

**Roller Bearing Washer Options:** Metal thrust & retainer washers (Specify **WSR1**). Sintered iron step washers (Specify **WSR2**). Sealed metal retainer washer (Specify **WSR3**).

**Delrin Bearing Options:** For standard two-piece bearing change ninth digit to "1" (Example: 6.06279.921). One-piece with steel thrust washers (Specify **WB11**).

**Ball Bearing Options:** To order change 8th & 9th digit in model number to "65" (Example: 6.06279.465). Note: Performance 6" to 8" capacity decreases (See wheel section).

**Precision Ball Bearings:** To order change 8th and 9th digits to "35" (Example: 6.06279.435). Performa round tread, change wheel code to "555".

**Bronze Bearing Options:** To order change 9th digit in Maxim model number to "4" (Example: 6.06279.534).

**Plain Bearing Options:** To order change 9th digit to "2" (Example: 6.06279.832).

\*Triumph available in different tread types, colors and durometers (see wheel section). Precision ball only.

[www.ruedasyhules.com.mx](http://www.ruedasyhules.com.mx) • 01800 719 4170

6 SERIES