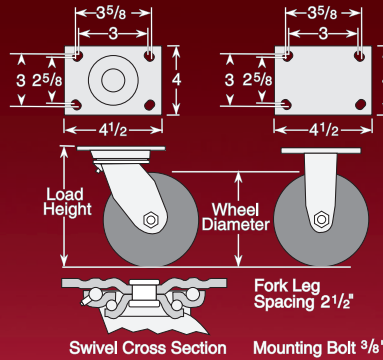


# 4 colson SERIES

Capacity up to 1250 lbs each

## Top Plate Swivel & Rigid



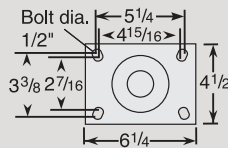
### Standard Features

- Attractive zinc plated finish
- Full double ball hardened raceways
- 1/2" hollow axle with grease zerker and lock nut
- Plastic seal/retainer washer (roller bearing models)
- 1/4" steel top plate for durability
- Permanent rivet king pin with 5/8" diameter rivet
- Grease fittings: wheel bearing and swivel raceway
- "Colson 45" multi-temp grease lubricates in extreme hot and cold temperatures

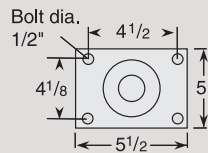
### Performance Options

#### Optional Top Plates

#2 Top Plate (Specify MTG2).



#4 Top Plate (Specify MTG4).



All 4 Series swivel forks are notched to accommodate four position swivel locks.

**Tech Lock® Brake Available!**



#### Caster Brake

**Tech Lock®** (See page 14)  
Available on all swivel casters except 3 1/4" diameter, V-Groove and Swivel Lock models. 6" Rigid model available! (Specify **BRK2**).

**Tread Lock** (See page 14)  
Available on all swivel casters except 3 1/4" diameter and V-Groove models (Specify **BRK1**).

**Side Lock** (See page 13)  
Available on swivel roller bearing and one piece Delrin models except 3 1/4" diameter (Specify **BRK3**).

**Total Lock** (See page 14)  
Available on 4", 5", 6" & 8" swivel models except V-Groove (Specify **BRK4**).

**Top Lock** (See page 13)  
Available on 4", 5", 6" & 8" swivel models except V-Groove (Specify **BRK7**).

#### Fork/Wheel Options

**Foot Activated Swivel Lock** (See page 15).

**Hand Activated Swivel Lock** (See page 15).

**DirtBan Swivel Seal** (See page 16)  
Not available on swivel lock models (Specify **SEAL**).

**NSF Listed** (See page 3)  
All models except swivel lock, thread guards, forged steel and cast iron core wheels (Specify **FSI**).



**Thread Guards** (See page 16) – Available on many models (Specify **TG1** for metal **TG2** for plastic).

**Load Height Option** – 6" dia. models with 7 1/4" load height. Only Side Lock brakes. (Specify **LH7.25**).

**Axle/Nut Options:**  
**AX2** Solid Axle  
**NT1** Thick lock nut

**Lube Options:**  
No Grease  
Double Grease  
300° Continuous  
500° Continuous

Fork	Wheel
<b>GRF1</b>	<b>GRW1</b>
<b>GRF2</b>	<b>GRW2</b>
<b>GRF3</b>	<b>GRW3</b>

**Consult Factory**

### Wheel Selection



**4 SERIES · Top Plate Swivel & Rigid · Capacity up to 1250 lbs**

Wheel Dia.	Tread Width	Capacity Each (Pounds)	Wheel Descriptions	Swivel Top Plate Roller Bearing Caster Models	Rigid Top Plate Roller Bearing Caster Models	Optional Bearings (Order information below chart)	Load Height	Swivel Radius	Weight lbs (Rigid Deduct 1.5 lbs)		
3 1/4"	2"	700	Phenolic	4.03109.339	4.03108.339	Delrin	5 1/4	3 3/16	4 3/4		
			Maxim	4.03109.539	4.03108.539	Delrin, Bronze	5 1/4	3 3/16	4 3/4		
4"	2"	300	Performa Rubber (Flat/Conductive)	4.04109.459 COND	4.04108.459 COND	Ball	5 5/8	3 9/16	5 3/4		
			Performa Rubber (Flat/Black)	4.04109.459.2	4.04108.459.2	Delrin, Ball, Prec. Ball	5 5/8	3 9/16	5 3/4		
		400	Performa Rubber (Flat/Grey)	4.04109.459	4.04108.459	Delrin, Ball, Prec. Ball	5 5/8	3 9/16	5 3/4		
			Moldon Rubber (Cast iron core)	4.04109.649.7	4.04108.649.7	Delrin	5 5/8	3 9/16	7 1/4		
			Trans-forma™ (Flat/Grey)	4.04109.4E9	4.04108.4E9	Delrin, Ball	5 5/8	3 9/16	5 3/4		
		500	Polyolefin	4.04109.839	4.04108.839	Delrin, Plain	5 5/8	3 9/16	4 1/2		
		600	Polyurethane HI-TECH	4.04109.929	4.04108.929	Delrin	5 5/8	3 9/16	4 3/4		
			Moldon Polyurethane (Aluminum core)	4.04109.939	4.04108.939	Delrin	5 5/8	3 9/16	5 1/4		
		700	Moldon Polyurethane (Cast iron core)	4.04109.949.7	4.04108.949.7	Delrin	5 5/8	3 9/16	7 1/4		
			Maxim	4.04109.539	4.04108.539	Delrin, Bronze	5 5/8	3 9/16	4 1/8		
		800	Phenolic	4.04109.339	4.04108.339	Delrin	5 5/8	3 9/16	5 3/4		
			Thermo	4.04109.839 HT	4.04108.839 HT	Plain	5 5/8	3 9/16	6 3/4		
			V-Groove	4.04109.739	4.04108.739	Delrin	5 5/8	3 9/16	8 1/8		
			Endura Solid Elastomer	4.04109.839 EN	4.04108.839 EN	Delrin, Prec. Ball	5 5/8	3 9/16	5 3/4		
		1000	Cast Iron	4.04109.139	4.04108.139	Delrin	5 5/8	3 9/16	7 7/8		
			325	Performa Rubber (Flat/Conductive)	4.05109.459 COND	4.05108.459 COND	Ball	6 1/2	4 1/4	6 1/8	
		5"	2"	400	Moldon Rubber (Cast iron core)	4.05109.649.7	4.05108.649.7	Delrin	6 1/2	4 1/4	8 1/8
					Performa Rubber (Flat/Black)	4.05109.459.2	4.05108.459.2	Delrin, Ball, Prec. Ball	6 1/2	4 1/4	6 1/8
500	Performa Rubber (Flat/Grey)			4.05109.459	4.05108.459	Delrin, Ball, Prec. Ball	6 1/2	4 1/4	6 1/8		
	Trans-forma™ (Flat/Grey)			4.05109.4E9	4.05108.4E9	Delrin, Ball	6 1/2	4 1/4	6 1/8		
650	Polyolefin			4.05109.839	4.05108.839	Delrin, Plain	6 1/2	4 1/4	4 7/8		
750	Polyurethane HI-TECH			4.05109.929	4.05108.929	Delrin	6 1/2	4 1/4	4 3/4		
	Maxim			4.05109.539	4.05108.539	Delrin, Bronze	6 1/2	4 1/4	4 1/2		
1000	Endura Solid Elastomer			4.05109.839 EN	4.05108.839 EN	Delrin, Prec. Ball	6 1/2	4 1/4	5 3/4		
	Moldon Polyurethane (Aluminum core)			4.05109.939	4.05108.939	Delrin	6 1/2	4 1/4	6 1/8		
	Moldon Polyurethane (Cast iron core)			4.05109.949.7	4.05108.949.7	Delrin	6 1/2	4 1/4	8 1/8		
	Moldon Nylon			4.05109.939.3	4.05108.939.3	Delrin	6 1/2	4 1/4	9 1/4		
	Phenolic			4.05109.339	4.05108.339	Delrin	6 1/2	4 1/4	5 3/4		
	Thermo			4.05109.839 HT	4.05108.839 HT	Plain	6 1/2	4 1/4	6 3/4		
1250	Cast Iron			4.05109.139	4.05108.139	Delrin	6 1/2	4 1/4	8 7/8		
	Forged Steel			4.05109.239	4.05108.239	Delrin	6 1/2	4 1/4	9 1/4		
6"	2"			410	Performa Rubber (Flat/Conductive)	4.06109.459 COND	4.06108.459 COND	Ball	7 1/2	5	6 1/8
					Performa Rubber (Round/Conductive)	4.06109.559 COND	4.06108.559 COND	Ball	7 1/2	5	6 1/8
				450	Performa Rubber (Round/Grey)	4.06109.559	4.06108.559	Delrin, Ball	7 1/2	5	6 1/8
		Trans-forma™ (Round/Grey)	4.06109.5E9		4.06108.5E9	Delrin, Ball, Prec. Ball	7 1/2	5	6 1/8		
		600	Moldon Rubber (Cast iron core)	4.06109.649.7	4.06108.649.7	Delrin	7 1/2	5	10 1/2		
			Performa Rubber (Flat/Black)	4.06109.459.2	4.06108.459.2	Delrin, Ball, Prec. Ball	7 1/2	5	6 1/8		
		700	Performa Rubber (Flat/Grey)	4.06109.459	4.06108.459	Delrin, Ball, Prec. Ball	7 1/2	5	6 1/8		
			Trans-forma™ (Flat/Grey)	4.06109.4E9	4.06108.4E9	Delrin, Ball	7 1/2	5	6 1/8		
		900	Polyolefin	4.06109.839	4.06108.839	Delrin, Plain	7 1/2	5	5 1/2		
			Polyurethane HI-TECH	4.06109.929	4.06108.929	Delrin	7 1/2	5	5		
		1100	Triumph (Round)*	4.06109.96TF	4.06108.96TF	Prec. Ball	7 1/2	5	7 1/2		
			Endura Solid Elastomer	4.06109.839 EN	4.06108.839 EN	Delrin, Prec. Ball	7 1/2	5	7		
		1200	Maxim	4.06109.539	4.06108.539	Delrin, Bronze	7 1/2	5	4 3/4		
			Moldon Polyurethane (Aluminum core)	4.06109.939	4.06108.939	Delrin	7 1/2	5	7 1/2		
			Moldon Polyurethane (Cast iron core)	4.06109.949.7	4.06108.949.7	Delrin	7 1/2	5	10 1/2		
			Moldon Nylon	4.06109.939.3	4.06108.939.3	Delrin	7 1/2	5	9 1/4		
			Phenolic	4.06109.339	4.06108.339	Delrin	7 1/2	5	7		
			V-Groove	4.06109.739	4.06108.739	Delrin	7 1/2	5	10 1/2		
1250	Cast Iron	4.06109.139	4.06108.139	Delrin	7 1/2	5	9 3/4				
	Forged Steel	4.06109.239	4.06108.239	Delrin	7 1/2	5	10 1/4				
8"	2"	500	Performa Rubber (Flat/Conductive)	4.08199.459 COND	4.08198.459 COND	Ball	9 1/2	6 1/2	6 1/4		
			Performa Rubber (Round/Conductive)	4.08199.559 COND	4.08198.559 COND	Ball	9 1/2	6 1/2	6 1/4		
		600	Moldon Rubber (Cast iron core)	4.08199.649.7	4.08198.649.7	Delrin	9 1/2	6 1/2	13 1/4		
			Performa Rubber (Round/Grey)	4.08199.559	4.08198.559	Delrin, Ball, Prec. Ball	9 1/2	6 1/2	6 1/4		
		675	Performa Rubber (Flat/Black)	4.08199.459.2	4.08198.459.2	Delrin, Ball, Prec. Ball	9 1/2	6 1/2	6 1/4		
			Performa Rubber (Flat/Grey)	4.08199.459	4.08198.459	Delrin, Ball, Prec. Ball	9 1/2	6 1/2	6 1/4		
		900	Polyolefin	4.08199.839	4.08198.839	Delrin, Plain	9 1/2	6 1/2	5 3/4		
		1000	Polyurethane HI-TECH	4.08199.929	4.08198.929	Delrin	9 1/2	6 1/2	5 3/4		
			Endura Solid Elastomer	4.08199.839 EN	4.08198.839 EN	Delrin, Prec. Ball	9 1/2	6 1/2	5 3/4		
		1200	Triumph (Round)*	4.08199.96TF	4.08198.96TF	Prec. Ball	9 1/2	6 1/2	5 3/4		
			Maxim	4.08199.539	4.08198.539	Delrin, Bronze	9 1/2	6 1/2	5 1/2		
			Moldon Polyurethane (Aluminum core)	4.08199.939	4.08198.939	Delrin	9 1/2	6 1/2	8 1/4		
			Moldon Polyurethane (Aluminum core)	4.08199.939	4.08198.939	Delrin	9 1/2	6 1/2	8 1/4		
			Triumph (Crown)*	4.08199.93TF	4.08198.93TF	Prec. Ball	9 1/2	6 1/2	8 1/4		
			Moldon Nylon	4.08199.939.3	4.08198.939.3	Delrin	9 1/2	6 1/2	9 1/4		
			Phenolic	4.08199.339	4.08198.339	Delrin	9 1/2	6 1/2	8 1/2		
			Cast Iron	4.08199.139	4.08198.139	Delrin	9 1/2	6 1/2	12 1/2		

4 SERIES

**Roller Bearing Options:** Torrington style roller bearing with retainer (Specify **WB19**). Metal cage roller bearing (Specify **WB29**).  
**Roller Bearing Washer Options:** Metal thrust & retainer washers (Specify **WSR1**). Sintered iron step washers (Specify **WSR2**). Sealed metal retainer washer (Specify **WSR3**).  
**Delrin Bearing Options:** For standard two-piece bearing change ninth digit to "1" (Example: 4.06109.921). One-piece with steel thrust washers (Specify **WB11**).  
**Ball Bearing Options:** To order change 8th & 9th digit in model number to "65" (Example: 4.06109.465). **Note:** Performa 6" to 8" capacity decreases (See wheel section).  
**Precision Ball Bearings:** To order change 8th and 9th digits to "35" (Example 4.06109.435). Performa round tread, change wheel code to "555".  
**Bronze Bearing Options:** To order change 9th digit in model number to "4" (Example: 4.06109.534).  
**Plain Bearing Options:** To order change 9th digit to "2" (Example: 4.06109.832).

\*Triumph available in different tread types, colors and durometers (see wheel section). Precision ball only.

# 4 colson SERIES

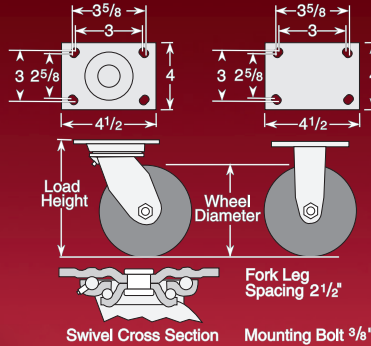
Capacity up to 1250 lbs each

STAINLESS  
STEEL

## Standard Features

- Polished stainless steel (Grade 304)
- 1/2" stainless steel hollow axle with grease zerk, nut and lock washer
- 1/4" steel top plate for durability
- Permanent rivet king pin with 5/8" diameter rivet
- Grease fittings: wheel bearing and swivel raceway
- "Colson 45" multi-temp grease lubricates in extreme hot and cold temperatures
- NSF Listed

## Stainless Steel Top Plate Swivel & Rigid



All 4 Series swivel forks are notched to accommodate four position swivel locks.

## Performance Options

### Caster Brake

**Tech Lock®** (See page 14). Available on all swivel and 6" rigid casters (Specify **BRK2**).

**Side Lock** New stainless steel design available on all swivel casters with Delrin bearing. Field installable (Specify **BRK3** with one-piece Delrin bearing).

### Fork/Wheel Options

**New Foot Activated Swivel Lock** (See page 15).

**DirtBan Swivel Seal** (See page 16).

**Thread Guards** (See page 16) – Available on many models (Specify **TG2** for plastic).

## Wheel Selection



PERFORMA  
FLAT/GREY



PERFORMA  
FLAT/BLACK



PERFORMA  
ROUND/GREY



TRANS-FORMA™



POLYOLEFIN



MAXIM



ENDURA



POLYURETHANE  
HI-TECH



THERMO



PERFORMA  
CONDUCTIVE FLAT



PERFORMA  
CONDUCTIVE ROUND



PHENOLIC



## 4 SERIES • Stainless Steel Top Plate Swivel & Rigid • Capacity up to 1250 lbs

Wheel Dia.	Tread Width	Capacity Each (Pounds)	Wheel Descriptions	Swivel Top Plate SS Roller Bearing Caster Models	Rigid Top Plate SS Roller Bearing Caster Models	Wheel Bearing	Load Height	Swivel Radius	Weight (Pounds)
4"	2"	300	Perma Rubber (Flat/Conductive)	4.04109.459 COND SS	4.04108.459 COND SS	–	5 <sup>5</sup> / <sub>8</sub>	3 <sup>9</sup> / <sub>16</sub>	5 <sup>3</sup> / <sub>4</sub>
		400	Perma Rubber (Flat Black)	4.04109.459.2 SS	4.04108.459.2 SS	Delrin, Bronze	5 <sup>5</sup> / <sub>8</sub>	3 <sup>9</sup> / <sub>16</sub>	5 <sup>3</sup> / <sub>4</sub>
			Perma Rubber (Flat Grey)	4.04109.459 SS	4.04108.459 SS	Delrin, Bronze	5 <sup>5</sup> / <sub>8</sub>	3 <sup>9</sup> / <sub>16</sub>	5 <sup>3</sup> / <sub>4</sub>
			Trans-forma™ (Flat Grey)	4.04109.4E9 SS	4.04108.4E9 SS	Delrin, Bronze	5 <sup>5</sup> / <sub>8</sub>	3 <sup>9</sup> / <sub>16</sub>	5 <sup>3</sup> / <sub>4</sub>
			Polyolefin	4.04109.839 SS	4.04108.839 SS	Delrin, Bronze, Plain	5 <sup>5</sup> / <sub>8</sub>	3 <sup>9</sup> / <sub>16</sub>	4 <sup>1</sup> / <sub>2</sub>
		600	Polyurethane HI-TECH	4.04109.929 SS	4.04108.929 SS	Delrin, Bronze	5 <sup>5</sup> / <sub>8</sub>	3 <sup>9</sup> / <sub>16</sub>	4 <sup>3</sup> / <sub>4</sub>
		800	Maxim	4.04109.539 SS	4.04108.539 SS	Delrin, Bronze	5 <sup>5</sup> / <sub>8</sub>	3 <sup>9</sup> / <sub>16</sub>	5 <sup>3</sup> / <sub>4</sub>
			Phenolic	4.04109.339 SS	4.04108.339 SS	Delrin, Bronze	5 <sup>5</sup> / <sub>8</sub>	3 <sup>9</sup> / <sub>16</sub>	5 <sup>3</sup> / <sub>4</sub>
			Thermo	4.04109.839 HT SS	4.04108.839 HT SS	Plain, Bronze	5 <sup>5</sup> / <sub>8</sub>	3 <sup>9</sup> / <sub>16</sub>	5 <sup>3</sup> / <sub>4</sub>
		1000	Endura Solid Elastomer	4.04109.839 EN SS	4.04108.839 EN SS	Delrin, Bronze	5 <sup>5</sup> / <sub>8</sub>	3 <sup>9</sup> / <sub>16</sub>	5 <sup>3</sup> / <sub>4</sub>
5"	2"	325	Perma Rubber (Flat/Conductive)	4.05109.459 COND SS	4.05108.459 COND SS	–	6 <sup>1</sup> / <sub>2</sub>	4 <sup>1</sup> / <sub>4</sub>	6 <sup>1</sup> / <sub>8</sub>
		500	Perma Rubber (Flat Black)	4.05109.459.2 SS	4.05108.459.2 SS	Delrin, Bronze	6 <sup>1</sup> / <sub>2</sub>	4 <sup>1</sup> / <sub>4</sub>	6 <sup>1</sup> / <sub>8</sub>
			Perma Rubber (Flat Grey)	4.05109.459 SS	4.05108.459 SS	Delrin, Bronze	6 <sup>1</sup> / <sub>2</sub>	4 <sup>1</sup> / <sub>4</sub>	6 <sup>1</sup> / <sub>8</sub>
			Trans-forma™ (Flat Grey)	4.05109.4E9 SS	4.05108.4E9 SS	Delrin, Bronze	6 <sup>1</sup> / <sub>2</sub>	4 <sup>1</sup> / <sub>4</sub>	6 <sup>1</sup> / <sub>8</sub>
			Polyolefin	4.05109.839 SS	4.05108.839 SS	Delrin, Bronze, Plain	6 <sup>1</sup> / <sub>2</sub>	4 <sup>1</sup> / <sub>4</sub>	4 <sup>7</sup> / <sub>8</sub>
		750	Polyurethane HI-TECH	4.05109.929 SS	4.05108.929 SS	Delrin, Bronze	6 <sup>1</sup> / <sub>2</sub>	4 <sup>1</sup> / <sub>4</sub>	4 <sup>7</sup> / <sub>8</sub>
		1000	Maxim	4.05109.539 SS	4.05108.539 SS	Delrin, Bronze	6 <sup>1</sup> / <sub>2</sub>	4 <sup>1</sup> / <sub>4</sub>	5 <sup>7</sup> / <sub>8</sub>
			Thermo	4.05109.339 SS	4.05108.339 SS	Delrin, Bronze	6 <sup>1</sup> / <sub>2</sub>	4 <sup>1</sup> / <sub>4</sub>	5 <sup>7</sup> / <sub>8</sub>
			Phenolic	4.05109.839 HT SS	4.05108.839 HT SS	Plain, Bronze	6 <sup>1</sup> / <sub>2</sub>	4 <sup>1</sup> / <sub>4</sub>	5 <sup>7</sup> / <sub>8</sub>
			Endura Solid Elastomer	4.05109.839 EN SS	4.05108.839 EN SS	Delrin, Bronze	6 <sup>1</sup> / <sub>2</sub>	4 <sup>1</sup> / <sub>4</sub>	5 <sup>7</sup> / <sub>8</sub>
6"	2"	410	Perma Rubber (Flat/Conductive)	4.06109.459.2 COND SS	4.06108.459.2 COND SS	–	7 <sup>1</sup> / <sub>2</sub>	5	6 <sup>1</sup> / <sub>8</sub>
		450	Perma Rubber (Round Grey)	4.06109.559 SS	4.06108.559 SS	Delrin, Bronze	7 <sup>1</sup> / <sub>2</sub>	5	7 <sup>1</sup> / <sub>8</sub>
			Trans-forma™ (Round Grey)	4.06109.4E9 SS	4.06108.4E9 SS	Delrin, Bronze	7 <sup>1</sup> / <sub>2</sub>	5	7 <sup>1</sup> / <sub>8</sub>
		600	Perma Rubber (Flat Black)	4.06109.459.2 SS	4.06108.459.2 SS	Delrin, Bronze	7 <sup>1</sup> / <sub>2</sub>	5	7 <sup>1</sup> / <sub>8</sub>
			Perma Rubber (Flat Grey)	4.06109.459 SS	4.06108.459 SS	Delrin, Bronze	7 <sup>1</sup> / <sub>2</sub>	5	7 <sup>1</sup> / <sub>8</sub>
			Trans-forma™ (Flat Grey)	4.06109.5E9 SS	4.06108.5E9 SS	Delrin, Bronze	7 <sup>1</sup> / <sub>2</sub>	5	7 <sup>1</sup> / <sub>8</sub>
		700	Polyolefin	4.06109.839 SS	4.06108.839 SS	Delrin, Bronze, Plain	7 <sup>1</sup> / <sub>2</sub>	5	5 <sup>1</sup> / <sub>2</sub>
		900	Polyurethane HI-TECH	4.06109.929 SS	4.06108.929 SS	Delrin, Bronze	7 <sup>1</sup> / <sub>2</sub>	5	5
		1100	Endura Solid Elastomer	4.06109.839 EN SS	4.06108.839 EN SS	Delrin, Bronze	7 <sup>1</sup> / <sub>2</sub>	5	6
			Thermo	4.06109.839 HT SS	4.06108.839 HT SS	Plain, Bronze	7 <sup>1</sup> / <sub>2</sub>	5	6
1200	Maxim	4.06109.539 SS	4.06108.539 SS	Delrin, Bronze	7 <sup>1</sup> / <sub>2</sub>	5	6		
	Phenolic	4.06109.339 SS	4.06108.339 SS	Delrin, Bronze	7 <sup>1</sup> / <sub>2</sub>	5	6		
8"	2"	500	Perma Rubber (Flat/Conductive)	4.08199.459 COND SS	4.08198.459 COND SS	–	9 <sup>1</sup> / <sub>2</sub>	6 <sup>1</sup> / <sub>2</sub>	6 <sup>1</sup> / <sub>4</sub>
		600	Perma Rubber (Round Grey)	4.08199.559 SS	4.08198.559 SS	Delrin, Bronze	9 <sup>1</sup> / <sub>2</sub>	6 <sup>1</sup> / <sub>2</sub>	8 <sup>1</sup> / <sub>8</sub>
		675	Perma Rubber (Flat Black)	4.08199.459.2 SS	4.08198.459.2 SS	Delrin, Bronze	9 <sup>1</sup> / <sub>2</sub>	6 <sup>1</sup> / <sub>2</sub>	8 <sup>1</sup> / <sub>8</sub>
			Perma Rubber (Flat Grey)	4.08199.459 SS	4.08198.459 SS	Delrin, Bronze	9 <sup>1</sup> / <sub>2</sub>	6 <sup>1</sup> / <sub>2</sub>	8 <sup>1</sup> / <sub>8</sub>
		900	Polyolefin	4.08199.839 SS	4.08198.839 SS	Delrin, Bronze, Plain	9 <sup>1</sup> / <sub>2</sub>	6 <sup>1</sup> / <sub>2</sub>	5 <sup>3</sup> / <sub>4</sub>
		1000	Polyurethane HI-TECH	4.08199.929 SS	4.08198.929 SS	Delrin, Bronze	9 <sup>1</sup> / <sub>2</sub>	6 <sup>1</sup> / <sub>2</sub>	5 <sup>3</sup> / <sub>4</sub>
		1200	Endura Solid Elastomer	4.08199.839 EN SS	4.08198.839 EN SS	Delrin, Bronze	9 <sup>1</sup> / <sub>2</sub>	6 <sup>1</sup> / <sub>2</sub>	6 <sup>3</sup> / <sub>4</sub>
		1250	Maxim	4.08199.539 SS	4.08198.539 SS	Delrin, Bronze	9 <sup>1</sup> / <sub>2</sub>	6 <sup>1</sup> / <sub>2</sub>	6 <sup>3</sup> / <sub>4</sub>
Phenolic	4.08199.339 SS		4.08198.339 SS	Delrin, Bronze	9 <sup>1</sup> / <sub>2</sub>	6 <sup>1</sup> / <sub>2</sub>	6 <sup>3</sup> / <sub>4</sub>		

**Delrin Bearing Options:** For standard two-piece bearing change ninth digit to "1" (Example: 4.06109.921SS).

One piece with stainless steel thrust washer, specify WB11.

**Bronze Bearing Options:** To order, change the 9th digit in model number to "4" (Example: 4.06109.534)

**Plain Bearing Option:** To order, change the 9th digit in model number to "2" (Example: 4.06109.832)

4 SERIES

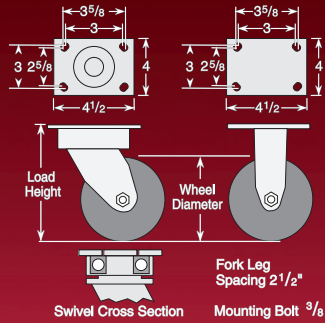
# 4 colson SERIES ENFORCER®

Capacity up to 1400 lbs each

## Standard Features

- Attractive zinc plated finish
- Single ball hardened raceway
- Formed fork legs feature robotic welding
- 1/2" hollow axle with grease zerck and lock nut
- Plastic seal/retainer washer (roller bearing models)
- 5/16" swivel steel top plate for durability
- Fork legs 1/4" thick x 2" wide
- Grease fittings: wheel bearing and swivel raceway
- Multi-temp grease lubricates in extreme hot and cold temperatures

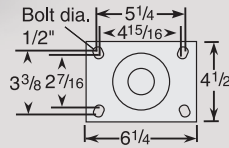
## Top Plate Swivel & Rigid



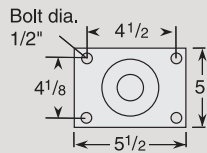
## Performance Options

### Optional Top Plates

#2 Top Plate (Specify MTG2).



#4 Top Plate (Specify MTG4).



### Caster Brake

**Tread Lock** (See page 14)  
Available on all swivel casters except V-Groove models (Specify BRK1).

### Fork/Wheel Options

**Hand Activated Swivel Lock** (See page 15).

**Thread Guards** (See page 16)  
Available on many models (Specify TG1 for metal TG2 for plastic).

**Axle/Nut Options:** AX2 Solid Axle  
NT1 Thick lock nut

**Extended Lead** – Available on 8", 9 1/2" and 10 1/8" load height models (Specify EL). Also specify load height.

### 3 1/2" Extended Lead Fork



Specially designed for towing applications.

## Wheel Selection



**4 SERIES · Enforcer® Top Plate Swivel & Rigid · Capacity up to 1400 lbs**

Wheel Dia.	Tread Width	Capacity Each (Pounds)	Wheel Descriptions	Swivel Top Plate Roller Bearing Caster Models	Rigid Top Plate Roller Bearing Caster Models	Optional Bearings (Order information below chart)	Load Height	Swivel Radius	Weight lbs (Rigid Deduct 1.5 lbs)		
4"	2"	300	Performa Rubber (Conductive/Flat)	4.04189.459 COND	4.04108.459 COND	Ball	5 5/8	3 9/16	5 3/4		
			Performa Rubber (Flat/Black)	4.04189.459.2	4.04108.459.2	Delrin, Ball, Prec. Ball	5 5/8	3 9/16	5 3/4		
		400	Performa Rubber (Flat/Grey)	4.04189.459	4.04108.459	Delrin, Ball, Prec. Ball	5 5/8	3 9/16	5 3/4		
			Trans-forma™ (Flat/Grey)	4.04189.4E9	4.04108.4E9	Delrin, Ball	5 5/8	3 9/16	5 3/4		
			Moldon Rubber (Cast iron core)	4.04189.649.7	4.04108.649.7	Delrin	5 5/8	3 9/16	6		
			Polyolefin	4.04189.839	4.04108.839	Delrin, Plain	5 5/8	3 9/16	4 1/2		
		600	Polyurethane HI-TECH	4.04189.929	4.04108.929	Delrin	5 5/8	3 9/16	4 3/4		
			Moldon Polyurethane (Aluminum core)	4.04189.939	4.04108.939	Delrin	5 5/8	3 9/16	5 1/4		
		700	Moldon Polyurethane (Cast iron core)	4.04189.949.7	4.04108.949.7	Delrin	5 5/8	3 9/16	6		
			Maxim	4.04189.539	4.04108.539	Delrin, Bronze	5 5/8	3 9/16	5 1/8		
		800	Phenolic	4.04189.339	4.04108.339	Delrin	5 5/8	3 9/16	5 3/4		
			Thermo	4.04189.839 HT	4.04108.839 HT	Plain, Bronze	5 5/8	3 9/16	6 3/4		
			V-Groove	4.04189.739	4.04108.739	Delrin	5 5/8	3 9/16	8 1/8		
			Endura Solid Elastomer	4.04189.839 EN	4.04108.839 EN	Delrin, Prec. Ball	5 5/8	3 9/16	5 3/4		
		1000	Cast Iron	4.04189.139	4.04108.139	Delrin	5 5/8	3 9/16	7 7/8		
			Performa Rubber (Conductive/Flat)	4.05189.459 COND	4.05108.459 COND	Ball	6 1/2	3 7/8	6 1/8		
		5"	2"	325	Performa Rubber (Conductive/Flat)	4.05189.459 COND	4.05108.459 COND	Ball	6 1/2	3 7/8	6 1/8
					Moldon Rubber (Cast iron core)	4.05189.649.7	4.05108.649.7	Delrin	6 1/2	3 7/8	7
500	Performa Rubber (Flat/Black)			4.05189.459.2	4.05108.459.2	Delrin, Ball, Prec. Ball	6 1/2	3 7/8	6 1/8		
	Performa Rubber (Flat/Grey)			4.05189.459	4.05108.459	Delrin, Ball, Prec. Ball	6 1/2	3 7/8	6 1/8		
	Trans-forma™ (Flat/Grey)			4.05189.4E9	4.05108.4E9	Delrin, Ball	6 1/2	3 7/8	6 1/8		
	Polyolefin			4.05189.839	4.05108.839	Delrin, Plain	6 1/2	3 7/8	4 7/8		
650	Polyurethane HI-TECH			4.05189.929	4.05108.929	Delrin	6 1/2	3 7/8	4 3/4		
	Maxim			4.05189.539	4.05108.539	Delrin, Bronze	6 1/2	3 7/8	5 1/2		
750	Endura Solid Elastomer			4.05189.839 EN	4.05108.839 EN	Delrin, Prec. Ball	6 1/2	3 7/8	5 3/4		
	Moldon Polyurethane (Aluminum core)			4.05189.939	4.05108.939	Delrin	6 1/2	3 7/8	6 1/8		
1000	Moldon Polyurethane (Cast iron core)			4.05189.949.7	4.05108.949.7	Delrin	6 1/2	3 7/8	7		
	Moldon Nylon			4.05189.939.3	4.05108.939.3	Delrin	6 1/2	3 7/8	9 1/4		
	Phenolic			4.05189.339	4.05108.339	Delrin	6 1/2	3 7/8	5 3/4		
	Thermo			4.05189.839 HT	4.05108.839 HT	Plain, Bronze	6 1/2	3 7/8	6 3/4		
	Cast Iron			4.05189.139	4.05108.139	Delrin	6 1/2	3 7/8	8 7/8		
	Forged Steel			4.05189.239	4.05108.239	Delrin	6 1/2	3 7/8	9 1/4		
	410			Performa Rubber (Conductive/Flat)	4.06189.459 COND	4.06108.459 COND	Ball	7 1/2	4 5/8	6 1/8	
				Performa Rubber (Conductive/Round)	4.06189.559 COND	4.06108.559 COND	Ball	7 1/2	4 5/8	6 1/8	
450	Trans-forma™ (Round/Grey)	4.06189.5E9	4.06108.5E9	Delrin, Ball	7 1/2	4 5/8	6 1/8				
	Performa Rubber (Round/Grey)	4.06189.559	4.06108.559	Delrin, Ball, Prec. Ball	7 1/2	4 5/8	6 1/8				
	Moldon Rubber (Cast iron core)	4.06189.649.7	4.06108.649.7	Delrin	7 1/2	4 5/8	9				
	Performa Rubber (Flat/Black)	4.06189.459.2	4.06108.459.2	Delrin, Ball, Prec. Ball	7 1/2	4 5/8	6 1/8				
600	Performa Rubber (Flat/Grey)	4.06189.459	4.06108.459	Delrin, Ball, Prec. Ball	7 1/2	4 5/8	6 1/8				
	Trans-forma™ (Flat/Grey)	4.06189.4E9	4.06108.4E9	Delrin, Ball	7 1/2	4 5/8	6 1/8				
700	Polyolefin	4.06189.839	4.06108.839	Delrin, Plain	7 1/2	4 5/8	5 1/2				
	Polyurethane HI-TECH	4.06189.929	4.06108.929	Delrin	7 1/2	4 5/8	5				
900	Triumph (Round)*	4.06189.96TF	4.06108.96TF	Delrin	7 1/2	4 5/8	7 1/2				
	Endura Solid Elastomer	4.06189.839 EN	4.06108.839 EN	Delrin, Prec. Ball	7 1/2	4 5/8	7				
1200	Maxim	4.06189.539	4.06108.539	Delrin, Bronze	7 1/2	4 5/8	5 3/4				
	Moldon Polyurethane (Aluminum core)	4.06189.939	4.06108.939	Delrin	7 1/2	4 5/8	7 1/2				
	Moldon Polyurethane (Cast iron core)	4.06189.949.7	4.06108.949.7	Delrin	7 1/2	4 5/8	9				
	Moldon Nylon	4.06189.939.3	4.06108.939.3	Delrin	7 1/2	4 5/8	9 1/4				
	Phenolic	4.06189.339	4.06108.339	Delrin	7 1/2	4 5/8	7				
	Thermo	4.06189.739	4.06108.839 HT	Plain, Bronze	7 1/2	4 5/8	10 1/2				
	V-Groove	4.06189.739	4.06108.739	Delrin	7 1/2	4 5/8	10 1/2				
	Cast Iron	4.06189.139	4.06108.139	Delrin	7 1/2	4 5/8	9 3/4				
1400	Forged Steel	4.06189.239	4.06108.239	Delrin	7 1/2	4 5/8	10 1/4				
	Performa Rubber (Conductive/Flat)	4.08189.459 COND	4.08198.459 COND	Ball	9 1/2	6 1/8	6 1/4				
8"	2"	500	Performa Rubber (Conductive/Flat)	4.08189.459 COND	4.08198.459 COND	Ball	9 1/2	6 1/8	6 1/4		
			Performa Rubber (Conductive/Round)	4.08189.559 COND	4.08198.459 COND	Ball	9 1/2	6 1/8	6 1/4		
		600	Moldon Rubber (Cast iron core)	4.08189.649.7	4.08198.649.7	Delrin	9 1/2	6 1/8	11		
			Performa Rubber (Round/Grey)	4.08189.559	4.08198.559	Delrin, Ball, Prec. Ball	9 1/2	6 1/8	6 1/4		
		675	Performa Rubber (Flat/Black)	4.08189.459.2	4.08198.459.2	Delrin, Ball, Prec. Ball	9 1/2	6 1/8	6 1/4		
			Performa Rubber (Flat/Grey)	4.08189.459	4.08198.459	Delrin, Ball, Prec. Ball	9 1/2	6 1/8	6 1/4		
		900	Polyolefin	4.08189.839	4.08198.839	Delrin, Plain	9 1/2	6 1/8	5 3/4		
			Polyurethane HI-TECH	4.08189.929	4.08198.929	Delrin	9 1/2	6 1/8	5 3/4		
		1000	Endura Solid Elastomer	4.08189.839 EN	4.08198.839 EN	Delrin, Prec. Ball	9 1/2	6 1/8	8 1/2		
			Triumph (Round)*	4.08189.96TF	4.08198.96TF	Prec. Ball	9 1/2	6 1/8	8 1/4		
		1200	Maxim	4.08189.539	4.08198.539	Delrin, Bronze	9 1/2	6 1/8	6 1/2		
			Moldon Polyurethane (Aluminum core)	4.08189.939	4.08198.939	Delrin	9 1/2	6 1/8	8 1/4		
			Moldon Polyurethane (Cast iron core)	4.08189.949.7	4.08198.949.7	Delrin	9 1/2	6 1/8	11		
			Triumph (Crown)*	4.08189.93TF	4.08198.93TF	Delrin	9 1/2	6 1/8	8 1/4		
			Moldon Nylon	4.08189.939.3	4.08198.939.3	Delrin	9 1/2	6 1/8	9 1/4		
			Phenolic	4.08189.339	4.08198.339	Delrin	9 1/2	6 1/8	8 1/2		
			Cast Iron	4.08189.139	4.08198.139	Delrin	9 1/2	6 1/8	12 1/2		

4 SERIES

**Roller Bearing Options:** Torrington style roller bearing with retainer (Specify **WB19**). Metal cage roller bearing (Specify **WB29**).  
**Roller Bearing Washer Options:** Metal thrust & retainer washers (Specify **WSR1**). Sintered iron step washers (Specify **WSR2**). Sealed metal retainer washer (Specify **WSR3**).  
**Delrin Bearing Options:** For standard two-piece bearing change ninth digit to "1" (Example: 4.06179.921). One-piece with steel thrust washers (Specify **WB11**).  
**Ball Bearing Options:** To order change 8th & 9th digit in model number to "65" (Example: 4.06179.465).  
**Precision Ball Bearings:** To order change 8th and 9th digits to "35" (Example 4.06179.435). Performa round tread, change wheel code to "555".  
**Bronze Bearing Options:** To order change 9th digit in Maxim model number to "4" (Example: 4.06179.534).  
**Plain Bearing Options:** To order change 9th digit to "2" (Example: 4.06179.832).

55