

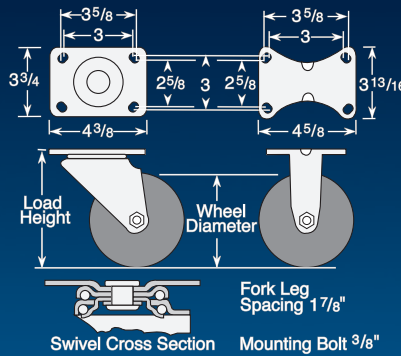
3 colson SERIES

Capacity up to 400 lbs each

Standard Features

- Zinc plated finish is attractive and durable
- Full double ball hardened raceways for better performance and greater durability
- 3/8" hollow axle with lock nut
- Permanent rivet king pin construction
- Reinforcing washer on lower raceway on swivel models
- .164 steel top plate
- Grease holes: wheel bearing
- "Colson 45" multi-temp grease lubricates in extreme hot and cold temperatures

Top Plate Swivel & Rigid



Performance Options

Caster Brake

Tread Lock (See page 13) Available on all swivel models. Field installable (Specify **BRK1**).

Fork/Wheel Options

Dust Cap (See page 16) – Specify **DC1**.

NSF Listed (See page 3) – All models except thread guards and cast iron wheels (Specify **FSI**).

Thread Guards (See page 16) – Available on many models. (Specify **TG1** for metal **TG2** for plastic).

Lube Options:

No Grease	GRF1	GRW1
Double Grease	GRF2	GRW2
300° Continuous	GRF3	GRW3
500° Continuous	Consult Factory	

Axle/Nut Options:

AX1 Zerk Axle	NT1 Thick lock nut
AX2 Solid Axle	NT2 Thin lock nut



Wheel Selection



PERFORMA
FLAT TREAD



PERFORMA CONDUCTIVE/
DISSIPATIVE



POLYOLEFIN



POLYURETHANE
HI-TECH



PHENOLIC



CAST IRON



MAXIM

3 SERIES · Top Plate Swivel & Rigid · Capacity up to 400 lbs

Wheel Dia.	Tread Width	Capacity Each (Pounds)	Wheel Descriptions	Wheel Bearing	Swivel Top Plate Caster Models	Rigid Top Plate Caster Models	Load Height	Swivel Radius	Weight (Pounds)
3"	1 1/2"	250	Perma Rubber (Flat/Grey)	Delrin	3.00317.441	3.00308.441	4 1/2	3 1/8	3
			Perma Rubber (Flat/Grey)	Roller	3.00317.449	3.00308.449	4 1/2	3 1/8	3
		300	Polyolefin	Delrin	3.00317.801	3.00308.801	4 1/2	3 1/8	2 3/4
			Polyolefin	Roller	3.00317.809	3.00308.809	4 1/2	3 1/8	2 3/4
			Polyurethane HI-TECH	Delrin	3.00317.901	3.00308.901	4 1/2	3 1/8	3
			Polyurethane HI-TECH	Roller	3.00317.909	3.00308.909	4 1/2	3 1/8	3
		400	Phenolic	Delrin	3.00317.301	3.00308.301	4 1/2	3 1/8	2 3/4
			Phenolic	Ball	3.00317.305	3.00308.305	4 1/2	3 1/8	2 3/4
			Phenolic	Roller	3.00317.309	3.00308.309	4 1/2	3 1/8	2 3/4
			Cast Iron	Delrin	3.00317.101	3.00308.101	4 1/2	3 1/8	4 1/4
			Cast Iron	Roller	3.00317.109	3.00308.109	4 1/2	3 1/8	4 1/4
4"	1 1/2"	255	Perma Rubber (Conductive Flat)	Roller	3.00417.449 COND	3.00408.449 COND	5 3/8	3 5/8	3 1/2
			Perma Rubber (Flat/Grey)	Delrin	3.00417.441	3.00408.441	5 3/8	3 5/8	3 1/2
		325	Perma Rubber (Flat/Grey)	Roller	3.00417.449	3.00408.449	5 3/8	3 5/8	3 1/2
		375	Polyolefin	Delrin	3.00417.801	3.00408.801	5 3/8	3 5/8	3
			Polyolefin	Roller	3.00417.809	3.00408.809	5 3/8	3 5/8	3
		400	Maxim	Delrin	3.00417.501	3.00408.501	5 3/8	3 5/8	3 1/4
			Maxim	Bronze	3.00417.504	3.00408.504	5 3/8	3 5/8	3 1/4
			Maxim	Roller	3.00417.509	3.00408.501	5 3/8	3 5/8	3 1/4
			Polyurethane HI-TECH	Delrin	3.00417.901	3.00408.901	5 3/8	3 5/8	3 1/4
			Polyurethane HI-TECH	Roller	3.00417.909	3.00408.909	5 3/8	3 5/8	3 1/4
			Phenolic	Delrin	3.00417.301	3.00408.301	5 3/8	3 5/8	3 1/2
			Phenolic	Ball	3.00417.305	3.00408.305	5 3/8	3 5/8	3 1/2
			Phenolic	Roller	3.00417.309	3.00408.309	5 3/8	3 5/8	3 1/4
		Cast Iron	Delrin	3.00417.101	3.00408.101	5 3/8	3 5/8	4 1/2	
		Cast Iron	Roller	3.00417.109	3.00408.109	5 3/8	3 5/8	4 1/2	
5"	1 1/2"	280	Perma Rubber (Conductive Flat)	Roller	3.00517.449 COND	3.00508.449 COND	6 3/8	4 1/8	3 1/2
			Perma Rubber (Flat/Grey)	Delrin	3.00517.441	3.00508.441	6 3/8	4 1/8	3 1/2
		350	Perma Rubber (Flat/Grey)	Roller	3.00517.449	3.00508.449	6 3/8	4 1/8	3 1/2
		400	Polyolefin	Delrin	3.00517.801	3.00508.801	6 3/8	4 1/8	2 3/4
			Polyolefin	Roller	3.00517.809	3.00508.809	6 3/8	4 1/8	2 3/4
			Polyurethane HI-TECH	Delrin	3.00517.901	3.00508.901	6 3/8	4 1/8	3 1/2
			Polyurethane HI-TECH	Roller	3.00517.909	3.00508.909	6 3/8	4 1/8	3 1/2
			Phenolic	Delrin	3.00517.301	3.00508.301	6 3/8	4 1/8	3
			Phenolic	Ball	3.00517.305	3.00508.305	6 3/8	4 1/8	3
			Phenolic	Roller	3.00517.309	3.00508.309	6 3/8	4 1/8	3 1/4
			Cast Iron	Delrin	3.00517.101	3.00508.101	6 3/8	4 1/8	5
		Cast Iron	Roller	3.00517.109	3.00508.109	6 3/8	4 1/8	5	
		6"	1 1/2"	300	Perma Rubber (Conductive Flat)	Roller	3.00617.449 COND	3.00608.449 COND	7 3/8
Perma Rubber (Flat/Grey)	Delrin				3.00617.441	3.00608.441	7 3/8	4 5/8	3 3/4
375	Perma Rubber (Flat/Grey)			Roller	3.00617.449	3.00608.449	7 3/8	4 5/8	3 3/4
400	Polyolefin			Delrin	3.00617.801	3.00608.801	7 3/8	4 5/8	3
	Polyolefin			Roller	3.00617.809	3.00608.809	7 3/8	4 5/8	3
	Polyurethane HI-TECH			Delrin	3.00617.901	3.00608.901	7 3/8	4 5/8	3 3/4
	Polyurethane HI-TECH			Roller	3.00617.909	3.00608.909	7 3/8	4 5/8	3 3/4
	Phenolic			Delrin	3.00617.301	3.00608.301	7 3/8	4 5/8	3 1/2
	Phenolic			Ball	3.00617.305	3.00608.305	7 3/8	4 5/8	3 1/2
	Phenolic			Roller	3.00617.309	3.00608.309	7 3/8	4 5/8	3 3/4
	Cast Iron			Delrin	3.00617.101	3.00608.101	7 3/8	4 5/8	6
Cast Iron	Roller			3.00617.109	3.00608.109	7 3/8	4 5/8	6	

Roller Bearing Options: Metal cage roller bearing (Specify WB29).

3 SERIES