

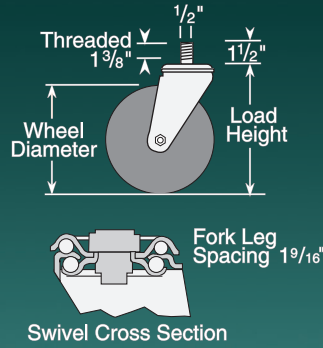
# 2 colson SERIES

Capacity up to 325 lbs each

## Standard Features

- Zinc plated finish is attractive and durable
- Full double ball hardened raceways for better performance and greater durability
- 3/8" hollow axle with lock nut
- Grease holes on wheel bearing for greater convenience
- "Colson 45" multi-temp grease lubricates in extreme hot and cold temperatures

## Straight Thread Stem



## Performance Options

### Mounting Options

- MTG10:** 1/2"-13UNC x 3/4" long threaded  
**MTG11:** 1/2"-13UNC x 1" long threaded  
**MTG12:** 1/2"-20UNF x 3/4" long threaded  
**MTG13:** 5/8"-11UNC x 1 3/4" long threaded  
**MTG14:** 5/8"-18UNF x 1 3/4" long threaded  
**MTG15:** 3/4"-10UNC x 1 3/4" long threaded  
**MTG50:** 1/2"-20UNF x 1 1/2" long threaded

### Caster Brake

- Total Lock Brake** (See page 12)  
Locks wheel and swivel simultaneously. Fits 3 1/2", 4" and 5" swivel models. Field installable (Specify **BRK5**).
- Side Lock Brake** (See page 12)  
Available on all swivel models. Field installable (Specify **BRK1**).

### Fork Option

- NSF Listed** (See page 3)  
All models except thread guards and cast iron wheels (Specify **FSI**).
- Swivel Dust Cap** (See page 16)  
Specify **DC1**.
- Axle/Nut Options:**  
**AX1** Zerk Axle  
**AX2** Solid Axle  
**NT1** Thick lock nut



### Wheel Option

- Thread Guards** (See page 16) – Available on many models. (Specify **TG1** for metal **TG2** for plastic).

### Standard Mounting (MTG 53):

1/2" diameter – 13UNC X 1 1/2" long, threaded 1 3/8".

### Easy Installation:

The 7/16" hex nut beneath the lower raceway makes it fast and easy to install these casters on a wide variety of equipment.

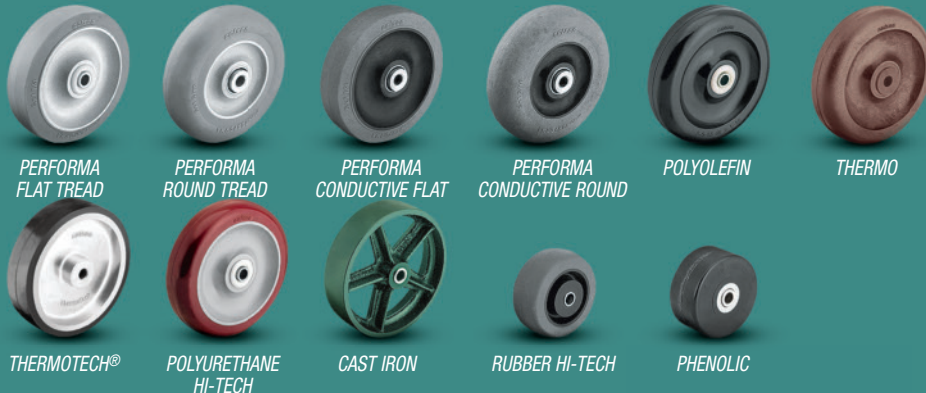


## Pemco Shopping Cart Caster

See page 66.



## Wheel Selection



**IMPORTANT:** If caster stem is to be screwed into customer equipment, the customer must add a washer to the stem that will cover the incomplete threads and support the upper race. The stem shoulder must fit tightly against the customer equipment.

## 2 SERIES • Straight Thread Stem • Capacity up to 325 lbs

Wheel Dia.	Tread Width	Capacity Each (Pounds)	Wheel Descriptions	Wheel Bearing	Stem Caster Models	Load Height	Swivel Radius	Weight (Pounds)	
2 1/2"	1 1/4"	125	Perma Rubber (Conductive Flat)	Ball	2.02254.445 COND	3 3/4	2 13/32	1 3/4	
		140	Perma Rubber (Flat tread)	Delrin	2.02254.441	3 3/4	2 13/32	1 3/4	
			Perma Rubber (Flat tread)	Ball	2.02254.445	3 3/4	2 13/32	1 3/4	
		200	Polyolefin	Delrin	2.02254.53	3 3/4	2 13/32	1 3/4	
			Polyolefin	Ball	2.02254.55	3 3/4	2 13/32	1 3/4	
	250	Polyurethane HI-TECH	Delrin	2.02254.91	3 3/4	2 13/32	1 1/2		
		Polyurethane HI-TECH	Ball	2.02254.95	3 3/4	2 13/32	1 1/2		
1 7/16"	300	Cast Iron	Sleeve	2.02254.12	3 3/4	2 13/32	2 1/8		
3"	1 1/4"	150	Rubber HI-TECH	Plain	2.03354.42	4	2 21/32	2	
		200	Polyurethane HI-TECH	Plain	2.03354.92	4	2 21/32	2	
			Polyolefin	Delrin	2.03354.52	4	2 21/32	2	
	1 15/32"	300	Phenolic	Roller	2.03354.309	4	2 21/32	2 3/4	
3 1/2"	1 5/16"	210	Perma Rubber (Conductive Round)	Ball	2.03254.565 COND	4 9/16	2 29/32	2 1/4	
			Perma Rubber (Round tread)	Delrin	2.03254.561	4 9/16	2 29/32	2 1/4	
			Perma Rubber (Round tread)	Ball	2.03254.565	4 9/16	2 29/32	2 1/4	
	1 1/4"	225	Perma Rubber (Conductive Flat)	Ball	2.03254.445 COND	4 9/16	2 29/32	2	
			Polyolefin	Delrin	2.03254.53	4 9/16	2 29/32	2 1/8	
		230	Polyolefin	Ball	2.03254.55	4 9/16	2 29/32	2 1/8	
			Perma Rubber (Flat tread)	Delrin	2.03254.441	4 9/16	2 29/32	2 1/8	
		250	Perma Rubber (Flat tread)	Ball	2.03254.445	4 9/16	2 29/32	2 1/8	
			Polyurethane HI-TECH	Delrin	2.03254.91	4 9/16	2 29/32	1 3/4	
	300	Polyurethane HI-TECH	Ball	2.03254.95	4 9/16	2 29/32	1 3/4		
		Thermo	Plain	2.03254.52 HT	4 9/16	2 29/32	3 1/8		
	4"	1 1/4"	250	ThermoTech	Teflon	2.04254.613 H	5	3 7/32	3
				Perma Rubber (Conductive Flat)	Ball	2.04254.445 COND	5	3 7/32	2 1/4
275			Polyolefin	Delrin	2.04254.53	5	3 7/32	2 1/4	
			Polyolefin	Ball	2.04254.55	5	3 7/32	2 1/4	
			Polyurethane HI-TECH	Delrin	2.04254.91	5	3 7/32	2	
			Polyurethane HI-TECH	Ball	2.04254.95	5	3 7/32	2	
300		Perma Rubber (Flat tread)	Delrin	2.04254.441	5	3 7/32	2 1/4		
		Perma Rubber (Flat tread)	Ball	2.04254.445	5	3 7/32	2 1/4		
		Thermo	Plain	2.04254.52 HT	5	3 7/32	3 1/4		
Cast Iron		Sleeve	2.04254.12	5	3 7/32	3 1/2			
		5"	1 1/4"	250	ThermoTech	Teflon	2.05254.613 H	6 1/16	3 13/16
Perma Rubber (Conductive Flat)	Ball				2.05254.445 COND	6 1/16	3 13/16	3	
1 5/16"	250		Perma Rubber (Conductive Round)	Ball	2.05254.565 COND	6 1/16	3 13/16	3	
			Perma Rubber (Round tread)	Delrin	2.05254.561	6 1/16	3 13/16	3	
			Perma Rubber (Round tread)	Ball	2.05254.565	6 1/16	3 13/16	3	
1 1/4"	300		Polyolefin	Delrin	2.05254.53	6 1/16	3 13/16	2 3/4	
			Polyolefin	Ball	2.05254.55	6 1/16	3 13/16	2 3/4	
			Polyurethane HI-TECH	Delrin	2.05254.91	6 1/16	3 13/16	2 1/2	
	325		Polyurethane HI-TECH	Ball	2.05254.95	6 1/16	3 13/16	2 1/2	
			Cast Iron	Sleeve	2.05254.12	6 1/16	3 13/16	3 3/4	
			Perma Rubber (Flat tread)	Delrin	2.05254.441	6 1/16	3 13/16	2 3/4	
Perma Rubber (Flat tread)	Ball		2.05254.445	6 1/16	3 13/16	2 3/4			
Thermo	Plain		2.05254.52 HT	6 1/16	3 13/16	3 3/4			

2 SERIES

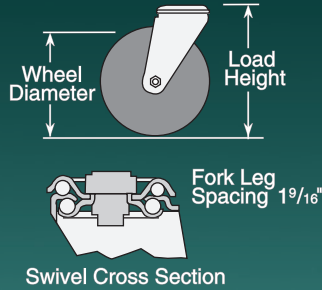
# 2 colson SERIES

Capacity up to 325 lbs each

## Standard Features

- Zinc plated finish is attractive and durable
- Full double ball hardened raceways for better performance and greater durability
- 3/8" hollow axle with lock nut
- Grease holes on wheel bearing for greater convenience
- "Colson 45" multi-temp grease lubricates in extreme hot and cold temperatures

## Modular Stem



### Standard Mounting:

Colson modular stem casters feature a 1/2" hollow rivet which will accept a wide variety of mounting stems (even a standard 1/2" bolt will work). You can supply the mounting fasteners or stems—we supply the casters.

## Performance Options

### Caster Brake

**Total Lock Brake** (See page 12)  
Locks wheel and swivel simultaneously. Fits 3 1/2", 4" and 5" swivel models. Field installable (Specify **BRK5**).

**Side Lock Brake** (See page 12)  
Available on all swivel models. Field installable (Specify **BRK1**).

### Fork Option

**NSF Listed** (See page 3)  
All models except thread guards and cast iron wheels (Specify **FSI**).

**Swivel Dust Cap** (See page 16)  
Specify **DC1**.

**Axle/Nut Options:**  
**AX1** Zerk Axle  
**AX2** Solid Axle  
**NT1** Thick lock nut



### Wheel Option

**Thread Guards** (See page 16)  
Available on many models. (Specify **TG1** for metal **TG2** for plastic).

## Wheel Selection



PERFORMA  
FLAT TREAD



PERFORMA  
ROUND TREAD



PERFORMA  
CONDUCTIVE FLAT



PERFORMA  
CONDUCTIVE ROUND



POLYOLEFIN



THERMO



THERMOTECH®



POLYURETHANE  
HI-TECH



CAST IRON



RUBBER HI-TECH



PHENOLIC

## 2 SERIES · Modular Stem · Capacity up to 325 lbs

Wheel Dia.	Tread Width	Capacity Each (Pounds)	Wheel Descriptions	Wheel Bearing	Stem Caster Models	Load Height	Swivel Radius	Weight (Pounds)	
2 1/2"	1 1/4"	125	Performa Rubber (Conductive Flat)	Ball	2.02250.445 COND	3 3/4	2 13/32	1 1/2	
		140	Performa Rubber (Flat tread)	Delrin	2.02250.441	3 3/4	2 13/32	1 1/2	
			Performa Rubber (Flat tread)	Ball	2.02250.445	3 3/4	2 13/32	1 1/2	
		200	Polyolefin	Delrin	2.02250.53	3 3/4	2 13/32	1 1/2	
			Polyolefin	Ball	2.02250.55	3 3/4	2 13/32	1 1/2	
		250	Polyurethane HI-TECH	Delrin	2.02250.91	3 3/4	2 13/32	1 1/4	
	Polyurethane HI-TECH		Ball	2.02250.95	3 3/4	2 13/32	1 1/4		
1 7/16"	300	Cast Iron	Sleeve	2.02250.12	3 3/4	2 13/32	2		
3"	1 1/4"	150	Rubber HI-TECH	Plain	2.03350.42	4	2 21/32	2	
		200	Polyurethane HI-TECH	Plain	2.03350.92	4	2 21/32	2	
			Polyolefin	Delrin	2.03350.52	4	2 21/32	2	
	1 15/32"	300	Phenolic	Roller	2.03350.309	4	2 21/32	2 3/4	
3 1/2"	1 5/16"	210	Performa Rubber (Conductive Round)	Ball	2.03250.565 COND	4 9/16	2 29/32	2	
			Performa Rubber (Round tread)	Delrin	2.03250.561	4 9/16	2 29/32	2	
			Performa Rubber (Round tread)	Ball	2.03250.565	4 9/16	2 29/32	2	
	1 1/4"	225	Performa Rubber (Conductive Flat)	Ball	2.03250.445 COND	4 9/16	2 29/32	1 3/4	
			Polyolefin	Delrin	2.03250.53	4 9/16	2 29/32	1 3/4	
		230	Polyolefin	Ball	2.03250.55	4 9/16	2 29/32	1 3/4	
			Performa Rubber (Flat tread)	Delrin	2.03250.441	4 9/16	2 29/32	1 3/4	
		250	Performa Rubber (Flat tread)	Ball	2.03250.445	4 9/16	2 29/32	1 3/4	
			Polyurethane HI-TECH	Delrin	2.03250.91	4 9/16	2 29/32	1 3/4	
			Polyurethane HI-TECH	Ball	2.03250.95	4 9/16	2 29/32	1 3/4	
	300	Thermo	Plain	2.03250.52 HT	4 9/16	2 29/32	2 3/4		
		Cast Iron	Sleeve	2.03250.12	4 9/16	2 29/32	2 7/8		
	4"	1 1/4"	250	ThermoTech	Teflon	2.04250.613 H	5	3 7/32	3
				Performa Rubber (Conductive Flat)	Ball	2.04250.445 COND	5	3 7/32	2 1/8
275			Polyolefin	Delrin	2.04250.53	5	3 7/32	2 1/8	
			Polyolefin	Ball	2.04250.55	5	3 7/32	2 1/8	
			Polyurethane HI-TECH	Delrin	2.04250.91	5	3 7/32	1 7/8	
			Polyurethane HI-TECH	Ball	2.04250.95	5	3 7/32	1 7/8	
300		Performa Rubber (Flat tread)	Delrin	2.04250.441	5	3 7/32	2 1/8		
		Performa Rubber (Flat tread)	Ball	2.04250.445	5	3 7/32	2 1/8		
		Thermo	Plain	2.04250.52 HT	5	3 7/32	3 1/8		
		Cast Iron	Sleeve	2.04250.12	5	3 7/32	3 1/8		
5"	1 1/4"	250	ThermoTech	Teflon	2.05250.613 H	6 1/16	3 13/16	3	
			Performa Rubber (Conductive Flat)	Ball	2.05250.445 COND	6 1/16	3 13/16	2 3/4	
	1 5/16"	250	Performa Rubber (Conductive Round)	Ball	2.05250.565 COND	6 1/16	3 13/16	2 3/4	
			Performa Rubber (Round tread)	Delrin	2.05250.561	6 1/16	3 13/16	2 3/4	
			Performa Rubber (Round tread)	Ball	2.05250.565	6 1/16	3 13/16	2 3/4	
	1 1/4"	300	Polyolefin	Delrin	2.05250.53	6 1/16	3 13/16	2 1/4	
			Polyolefin	Ball	2.05250.55	6 1/16	3 13/16	2 1/4	
			Polyurethane HI-TECH	Delrin	2.05250.91	6 1/16	3 13/16	2 1/4	
		325	Polyurethane HI-TECH	Ball	2.05250.95	6 1/16	3 13/16	2 1/4	
			Cast Iron	Sleeve	2.05250.12	6 1/16	3 13/16	3 1/2	
			Performa Rubber (Flat tread)	Delrin	2.05250.441	6 1/16	3 13/16	2 1/2	
			Performa Rubber (Flat tread)	Ball	2.05250.445	6 1/16	3 13/16	2 1/2	
Thermo	Plain	2.05250.52 HT	6 1/16	3 13/16	3 1/4				

2 SERIES



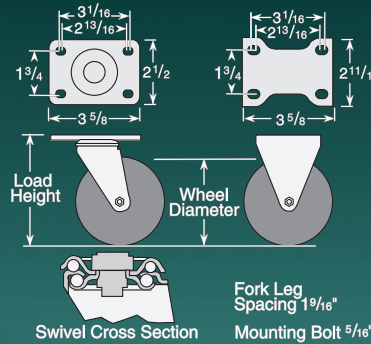
# 2 colson<sup>®</sup> SERIES

Capacity up to 325 lbs each

## Standard Features

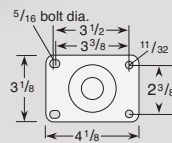
- Zinc plated finish is attractive and durable
- Full double ball hardened raceways for better performance and greater durability
- 3/8" hollow axle with lock nut
- Grease holes on wheel bearing for greater convenience
- "Colson 45" multi-temp grease lubricates in extreme hot and cold temperatures

## Top Plate Swivel & Rigid

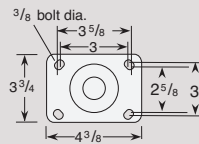


## Performance Options

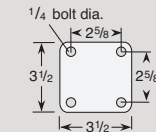
### Optional Top Plates



# 59 Top Plate (Swivel)  
(Specify MTG59).



# 27 Top Plate (Swivel)  
(Specify MTG27)



# 35 Top Plate (Swivel) (Specify MTG35)

### Caster Brake

**Total Lock Brake** (See page 12)  
Locks wheel and swivel simultaneously. Fits 3 1/2", 4" and 5" swivel models. Field installable (Specify BRK5).

**Side Lock Brake** (See page 12)  
Available on all swivel models. Field installable (Specify BRK1).

### Fork Option

**NSF Listed** (See page 3)  
All models except thread guards and cast iron wheels (Specify FSI).

**Swivel Dust Cap** (See page 16)  
Specify DC1.

**Axle/Nut Options:**  
AX1 Zerk Axle  
AX2 Solid Axle  
NT1 Thick lock nut



### Wheel Option

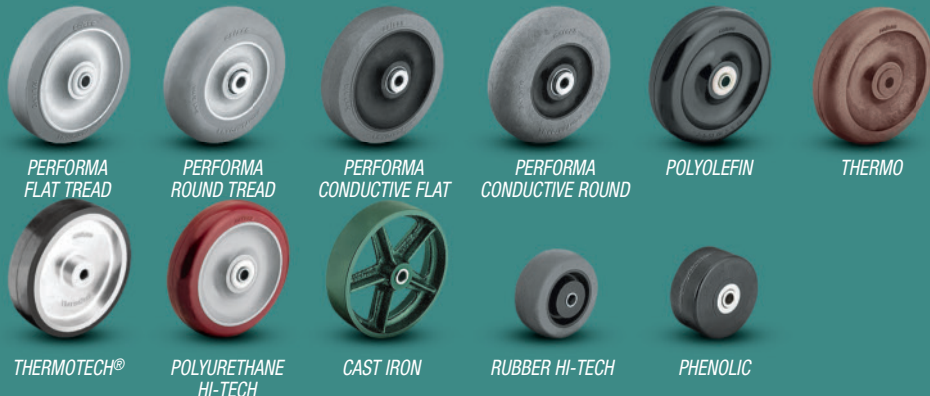
**Thread Guards** (See page 16)  
Available on many models (Specify TG1 for metal TG2 for plastic).



### New 2 Series Direction Lock Caster:

Standard top plate available. For optional top plates consult factory. To order change 4th digit to "1" (example: 2.05156.91).

## Wheel Selection



## 2 SERIES • Top Plate Swivel & Rigid • Capacity up to 325 lbs

Wheel Dia.	Tread Width	Capacity Each (Pounds)	Wheel Descriptions	Wheel Bearing	Swivel Top Plate Caster Models	Rigid Top Plate Caster Models	Load Height	Swivel Radius	Weight (Pounds)		
2 1/2"	1 1/4"	125	Performa Rubber (Conductive Flat)	Ball	2.02256.445 COND	2.02208.445 COND	3 7/8	2 13/32	1 5/8		
		140	Performa Rubber (Flat tread)	Delrin	2.02256.441	2.02208.441	3 7/8	2 13/32	1 5/8		
			Performa Rubber (Flat tread)	Ball	2.02256.445	2.02208.445	3 7/8	2 13/32	1 5/8		
		200	Polyolefin	Delrin	2.02256.53	2.02208.53	3 7/8	2 13/32	1 5/8		
			Polyolefin	Ball	2.02256.55	2.02208.55	3 7/8	2 13/32	1 5/8		
		250	Polyurethane HI-TECH	Delrin	2.02256.91	2.02208.91	3 7/8	2 13/32	1 5/8		
	Polyurethane HI-TECH		Ball	2.02256.95	2.02208.95	3 7/8	2 13/32	1 5/8			
	300	Cast Iron	Sleeve	2.02256.12	2.02208.12	3 7/8	2 13/32	2			
1 7/16"	300	Phenolic	Roller	2.02256.319	2.02208.319	3 7/8	2 13/32	1 5/8			
3"	1 1/4"	150	Rubber HI-TECH	Plain	2.03356.42	2.03308.42	4 1/8	2 21/32	2		
		200	Polyurethane HI-TECH	Plain	2.03356.92	2.03308.92	4 1/8	2 21/32	2		
			Polyolefin	Delrin	2.03356.52	2.03308.52	4 1/8	2 21/32	2		
	1 15/32"	300	Phenolic	Roller	2.03356.309	2.03308.309	4 1/8	2 21/32	2 3/4		
3 1/2"	1 5/16"	210	Performa Rubber (Conductive Round)	Ball	2.03256.565 COND	2.03208.565 COND	4 11/16	2 29/32	2 1/4		
			Performa Rubber (Round tread)	Delrin	2.03256.561	2.03208.561	4 11/16	2 29/32	2 1/4		
			Performa Rubber (Round tread)	Ball	2.03256.565	2.03208.565	4 11/16	2 29/32	2 1/4		
	1 1/4"	225	Performa Rubber (Conductive Flat)	Ball	2.03256.445 COND	2.03208.445 COND	4 11/16	2 29/32	2		
			Polyolefin	Delrin	2.03256.53	2.03208.53	4 11/16	2 29/32	1 7/8		
		230	Polyolefin	Ball	2.03256.55	2.03208.55	4 11/16	2 29/32	1 7/8		
			Performa Rubber (Flat tread)	Delrin	2.03256.441	2.03208.441	4 11/16	2 29/32	2		
		250	Performa Rubber (Flat tread)	Ball	2.03256.445	2.03208.445	4 11/16	2 29/32	2		
			Polyurethane HI-TECH	Delrin	2.03256.91	2.03208.91	4 11/16	2 29/32	1 7/8		
			Polyurethane HI-TECH	Ball	2.03256.95	2.03208.95	4 11/16	2 29/32	1 7/8		
		300	Thermo	Plain	2.03256.52 HT	2.03208.52 HT	4 11/16	2 29/32	2 7/8		
			Cast Iron	Sleeve	2.03256.12	2.03208.12	4 11/16	2 29/32	3		
		4"	1 1/4"	250	ThermoTech	Teflon	2.04256.613 H	2.04208.613 H	5 1/8	3 7/32	3
					Performa Rubber (Conductive Flat)	Ball	2.04256.445 COND	2.04208.445 COND	5 1/8	3 7/32	2 1/4
275	Polyolefin			Delrin	2.04256.53	2.04208.53	5 1/8	3 7/32	2 1/8		
	Polyolefin			Ball	2.04256.55	2.04208.55	5 1/8	3 7/32	2 1/8		
	Polyurethane HI-TECH			Delrin	2.04256.91	2.04208.91	5 1/8	3 7/32	2 1/8		
300	Polyurethane HI-TECH			Ball	2.04256.95	2.04208.95	5 1/8	3 7/32	2 1/8		
	Performa Rubber (Flat tread)		Delrin	2.04256.441	2.04208.441	5 1/8	3 7/32	2 1/4			
	Performa Rubber (Flat tread)		Ball	2.04256.445	2.04208.445	5 1/8	3 7/32	2 1/4			
Thermo	Plain		2.04256.52 HT	2.04208.52 HT	5 1/8	3 7/32	3 1/8				
	Cast Iron		Sleeve	2.04256.12	2.04208.12	5 1/8	3 7/32	3 3/8			
5"	1 1/4"		250	ThermoTech	Teflon	2.05256.613 H	2.05208.613 H	6 3/16	3 13/16	3	
		Performa Rubber (Conductive Flat)		Ball	2.05256.445 COND	2.05208.445 COND	6 3/16	3 13/16	3		
	1 5/16"	250	Performa Rubber (Conductive Round)	Ball	2.05256.565 COND	2.05208.565 COND	6 3/16	3 13/16	3		
			Performa Rubber (Round tread)	Delrin	2.05256.561	2.05208.561	6 3/16	3 13/16	3		
			Performa Rubber (Round tread)	Ball	2.05256.565	2.05208.565	6 3/16	3 13/16	3		
	1 1/4"	300	Polyolefin	Delrin	2.05256.53	2.05208.53	6 3/16	3 13/16	2 1/2		
			Polyolefin	Ball	2.05256.55	2.05208.55	6 3/16	3 13/16	2 1/2		
			Polyurethane HI-TECH	Delrin	2.05256.91	2.05208.91	6 3/16	3 13/16	2 1/2		
			Polyurethane HI-TECH	Ball	2.05256.95	2.05208.95	6 3/16	3 13/16	2 1/2		
		325	Cast Iron	Sleeve	2.05256.12	2.05208.12	6 3/16	3 13/16	3 3/4		
			Performa Rubber (Flat tread)	Delrin	2.05256.441	2.05208.441	6 3/16	3 13/16	2 3/4		
			Performa Rubber (Flat tread)	Ball	2.05256.445	2.05208.445	6 3/16	3 13/16	2 3/4		
	Thermo	Plain	2.05256.52 HT	2.05208.52 HT	6 3/16	3 13/16	3 1/2				

2 SERIES

# 2 colson SERIES

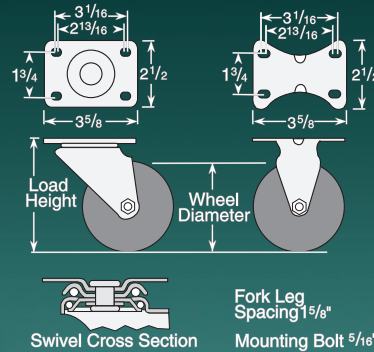
Capacity up to 325 lbs each

## STAINLESS STEEL

### Standard Features

- Polished 304 grade stainless steel finish handles the most punishing, corrosive conditions
- Double ball raceways for better performance and greater durability
- All component parts, including spanner bushing, axle and nut are stainless steel
- Designed to perform in the most hostile environments
- If rust is a problem...Colson stainless steel is the solution

## Stainless Steel Top Plate Swivel & Rigid



### Performance Options

#### Caster Brakes

**Tech Lock** (See page 12)  
Available on all swivel models. Field installable (Specify **BRK2**).

**Total Lock\***  
Locks wheel and swivel. Available on all swivel models. (Specify **BRK4**).

**Direction Lock\***  
Locks swivel only. Available on all swivel models. (Specify **BRK4**).

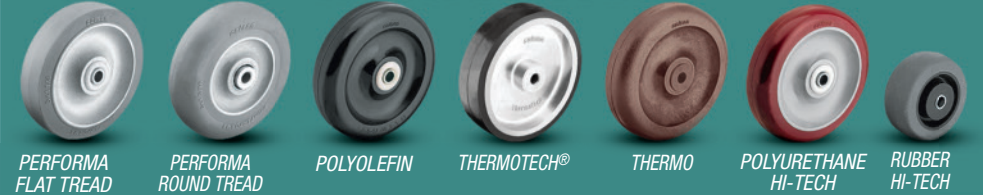
\*3" to 3 1/2" diameter models swivel radius is 4 1/8".

#### Fork Option

**NSF Listed**  
(See page 3)  
All models  
(Specify **FSI**).



### Wheel Selection



### 2 SERIES • Stainless Steel Top Plate Swivel & Rigid • Capacity up to 325 lbs

Wheel Dia.	Tread Width	Capacity Each (Pounds)	Wheel Descriptions	Wheel Bearing	Swivel Top Plate Caster Models	Rigid Top Plate Caster Models	Load Height	Swivel Radius	Weight (Pounds)
3"	1 1/4"	150	Rubber Hi-Tech	Plain	2.03346.42	2.03348.42	4 3/8"	3 1/8"	1 5/8
		200	Polyolefin	Delrin	2.03346.544	2.03348.544	4 3/8"	3 1/8"	1 5/8
			Polyurethane HI-TECH	Plain	2.03346.944	2.03348.9444	4 3/8"	3 1/8"	1 5/8
3 1/2"	1 1/4"	250	Polyolefin	Delrin	2.03446.544	2.03448.544	4 15/16"	3 3/8"	1 5/8
			Polyurethane HI-TECH	Delrin	2.03446.944	2.03448.944	4 15/16"	3 3/8"	1 5/8
		Performa Rubber (Flat Tread)	Delrin	2.03446.444	2.03448.444	4 15/16"	3 3/8"	1 3/4	
		Thermo	Plain	2.03446.52HT	2.03448.52HT	4 15/16"	3 3/8"	1 5/8	
	1 5/16"	210	Performa Rubber (Round Grey Tread)	Delrin	2.03446.564	2.03448.564	4 15/16"	3 3/8"	1 3/4
4"	1 1/4"	250	ThermoTech®	Teflon	2.04456.613H	2.04408.613H	5 1/8"	3 5/16"	2
		275	Polyolefin	Delrin	2.04456.544	2.04408.544	5 1/8"	3 5/16"	2 1/4
			Polyurethane HI-TECH	Delrin	2.04456.944	2.04408.944	5 1/8"	3 5/16"	1 3/4
		300	Performa Rubber (Flat Tread)	Delrin	2.04456.444	2.04408.444	5 1/8"	3 5/16"	1 7/8
			Thermo	Plain	2.04456.52HT	2.04408.52HT	5 1/8"	3 5/16"	2
5"	1 1/4"	250	ThermoTech®	Teflon	2.05456.613H	2.05408.613H	6 3/16"	4 1/16"	2 1/8
		300	Polyolefin	Delrin	2.05456.544	2.05408.544	6 3/16"	4 1/16"	2 3/8
			Polyurethane HI-TECH	Delrin	2.05456.944	2.05408.944	6 3/16"	4 1/16"	2 1/8
		325	Performa Rubber (Flat Tread)	Delrin	2.05456.444	2.05408.444	6 3/16"	4 1/16"	2 1/8
			Thermo	Plain	2.05456.52HT	2.05408.52HT	6 3/16"	4 1/16"	2 3/8
	1 5/16"	250	Performa Rubber (Round Grey Tread)	Delrin	2.05456.564	2.05408.564	6 3/16"	4 1/16"	2 1/4